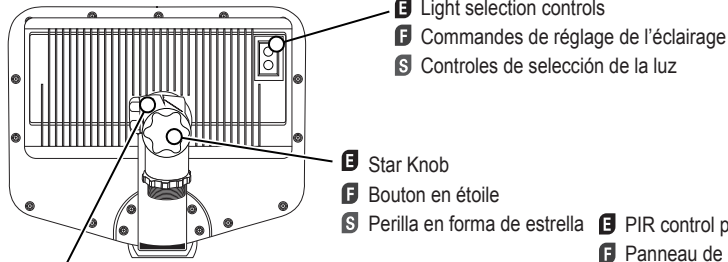
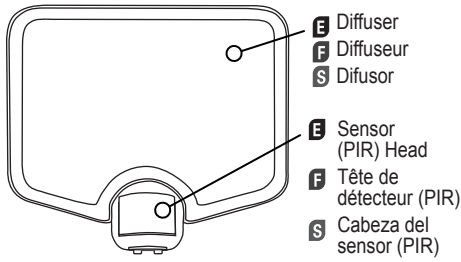




Good Earth
Lighting

ATTACH AND SAVE RECEIPT HERE

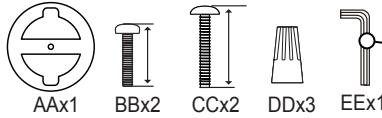
LED Motion Activated Hyper Bright Flood Light (Page 1)
Projecteur à DEL hyper brillant activé par le mouvement (Page 5)
Reflector LED hiperluminoso activado por movimiento (Página 9)
Model / Model / Model #: SE1249-WH3-02LF7-G, SE1249-BP2-02LF7-G



Required/ Nécessaire/ Obligatorio



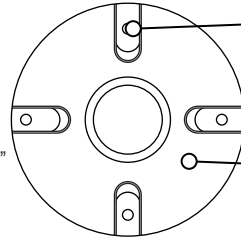
Hardware kit*/ Trousse de quincaillerie* / Kit de aditamentos*



* Actual hardware may differ from illustration.
* La quincaillerie incluse peut être différente de l'illustration.
* Los aditamentos reales pueden diferir de los que se muestran en la ilustración.

E Mounting arm
F Bras de montage
S Brazo de montaje

E "L" shaped Allen wrench
F Clé Allen en forme de « L »
S la lave Allen con forma de "L"



E PIR control panel
F Panneau de commande PIR
S Panel de control del PIR

E Wall plate
F Plaque murale
S Placa de pared



SHUT OFF POWER AT THE CIRCUIT BREAKER OR FUSE PANEL BEFORE REMOVING THE OLD FIXTURE OR INSTALLING THE NEW ONE.

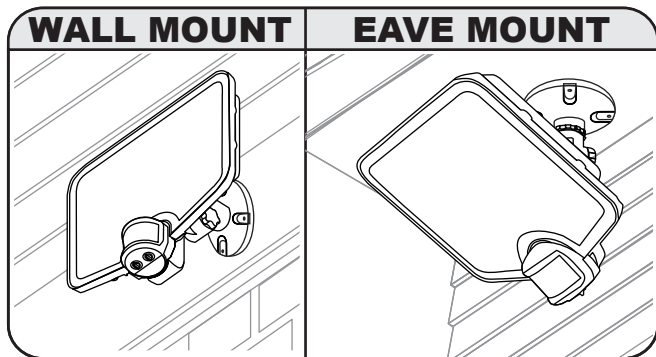
⚠ WARNINGS AND CAUTIONS

ENGLISH

1. This fixture can only be installed over a recessed electrical box, **OR** a UL Listed surface mount electrical box rated for wet locations. Recessed electrical box installations **REQUIRE** the outer edge of the wall canopy to be completely sealed with silicone RTV glue, and surface mount electrical boxes require the use of the foam gasket (included), to prevent water seeping into the electrical box. Without sealing the canopy enclosure, water seepage can short out the driver, and cause product failure, and/or other safety issues.
2. **DO NOT EAVE MOUNT ONTO PERFORATED OR CHANNELED MATERIAL** using a recessed junction box. Water can seep into the fixture and cause a hazardous situation and/or fixture failure.
3. Do not look directly at LEDs for extended period of time. Can cause eye damage.
4. LEDs can be damaged by electrostatic discharge shock. Before installation, discharge yourself by touching a grounded bare metal surface to remove this hazard.
5. Minimum 90°C supply conductors. For fixture electrical ratings, see fixture label.
6. If unsure if the electrical box is properly grounded, or the box is plastic and has no ground wire, or are unfamiliar with the methods of properly grounding fixture, consult a qualified electrician.
7. Do **NOT** use this fixture with dimmers.
8. Fixture will reliably operate between temperatures from -20°F to 122°F. (At temperatures above 92°F, the PIR may not detect body heat.)

READ ENTIRE INSTALLATION PROCEDURE BEFORE YOU BEGIN!

HOW TO CHOOSE A LOCATION SITE

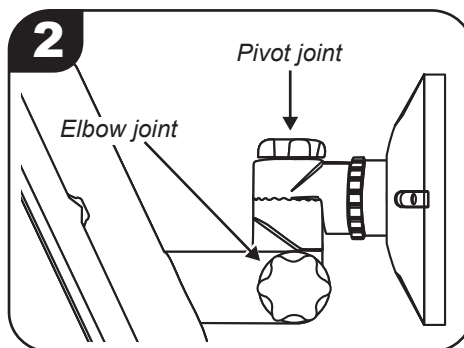
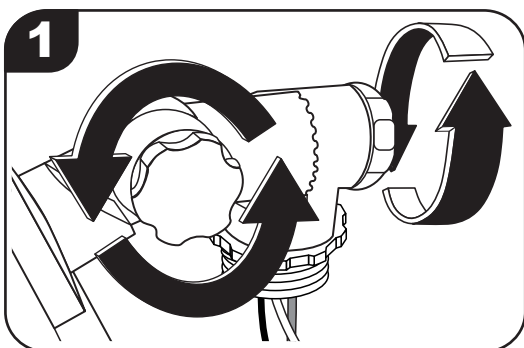


DO NOT EAVE MOUNT ON PERFORATED OR CHANNELED SOFFIT MATERIAL!

IMPORTANT!! READ BEFORE YOU BEGIN!

- 1 Select a location that allows the sensor to perform to its highest level.
- 2 The fixture can be mounted two distinct ways: **WALL MOUNT** or **EAVE MOUNT**.
- 3 This security light uses passive infrared (PIR) technology to automatically turn on the light. Passive infrared does not detect motion, but sensing differences in ambient temperatures, versus warmer objects in its field of view. As such, the sensor can be set off by a variety of other sources, including dryer vents, hot tubs, and the like. The PIR sensor cannot detect motion through plexiglass or glass barriers. Select an installation location carefully. Do not aim the PIR towards areas having frequent pedestrian or motorized traffic, and/or other objects that generate areas of warmer air. All of these may trigger the motion sensor security light and maybe disruptive to the intended operation of the light.
- 4 Do **NOT** install near other sources of light, which can fool the built-in light sensor into thinking it is daylight, and may prevent the proper operation of the light.

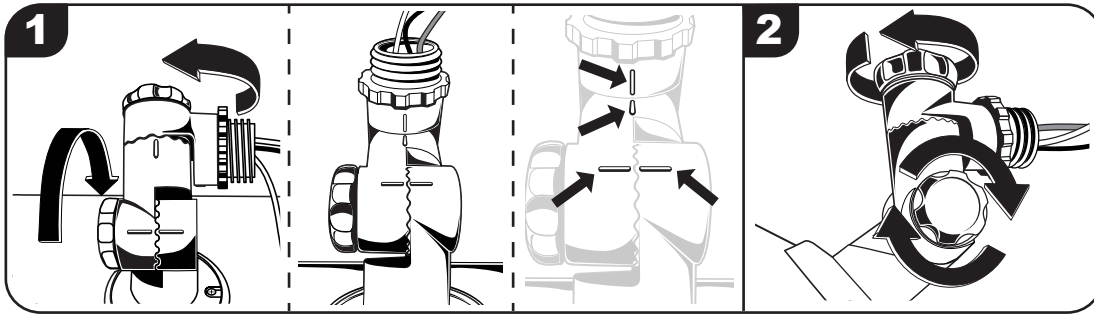
MOUNTING PREPARATION



- 1 After unpacking the light, loosen both star knobs on the mounting arms located on the back of the fixture.
- 2 The arms have position hash marks to aid in the installation for both **STANDARD WALL MOUNT** and **STANDARD EAVE MOUNT**. By aligning the hash marks ("-" and "="), the arm will be positioned for two very different configurations. By aligning the "-" marks on the elbow joint and then on the pivot joint the mounting arm is articulated for **WALL MOUNT** installation. By aligning the "=" marks on the elbow joint and then on the pivot joint the mounting arm is articulated for **EAVE MOUNT** installation.

PREPARATION

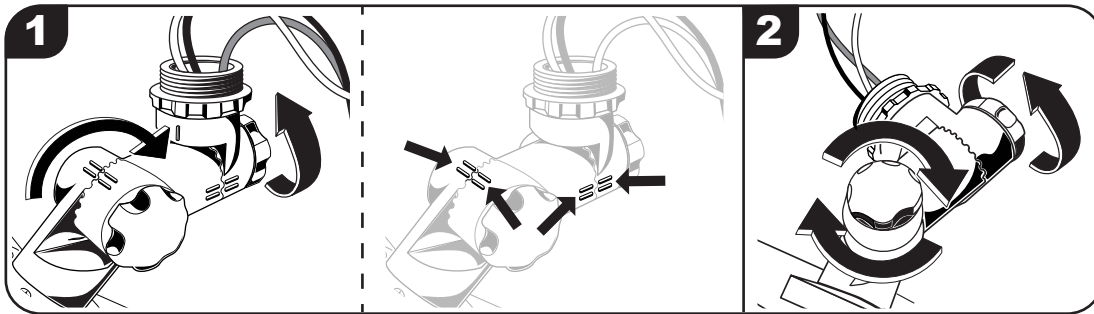
OPTION 1: WALL MOUNT



- 1 Align the "=" marks on the elbow joint and pivot joint.
- 2 Tighten both star knobs.

NOTE: The PIR sensor and light head must be mounted with the control panel facing toward the ground to prevent water from damaging the fixture. Failure to do so will void the warranty.

OPTION 2: EAVE MOUNT



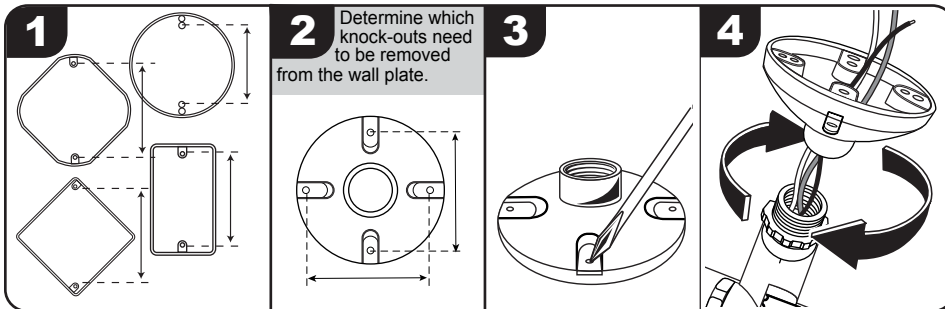
- 1 Align the "=" marks on the elbow joint and pivot joint.
- 2 Tighten both star knobs.

NOTE: The PIR sensor and light head must be mounted with the control panel facing toward the ground to prevent water from damaging the fixture. Failure to do so will void the warranty.

INSTALLATION

⚠ WARNING! SHUT OFF POWER BEFORE REMOVING OR INSTALLING ANY FIXTURE.

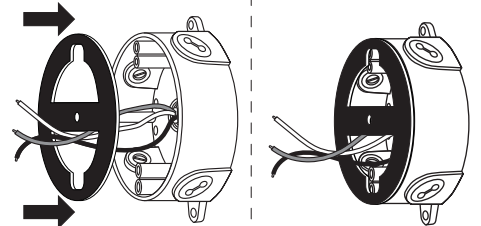
The fixture can be mounted to a round surface mount or a recessed electrical box.



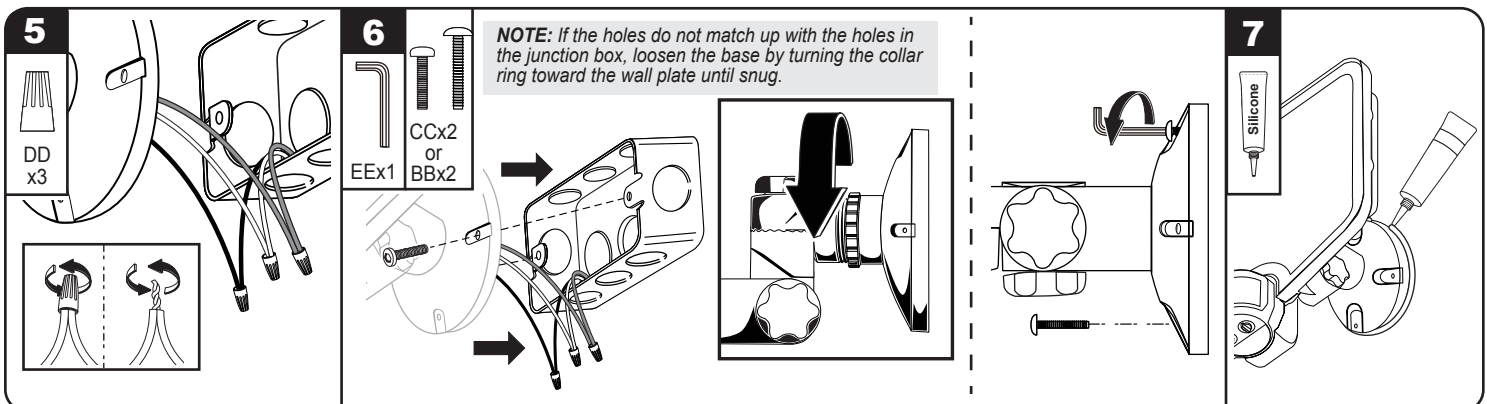
- 1 Before installing, measure the distance between the holes on the junction box to match that distance with the holes on the wall plate of the light.
For surface mount: Use only with an approve UL wet location surface electrical box.
- 2 The wall plate is fashioned with 2 sets of mounting holes with different distances apart. Before attaching the wall plate to the fixture, determine which set of mounting holes corresponds to the electrical box.
- 3 Remove the knockouts at these locations by carefully hammering a screwdriver, punch or nail until they break free.
- 4 Feed the fixture wires through wall plate and thread the wall plate onto the mounting arm.

ROUND SURFACE MOUNT ELECTRICAL BOXES

NOTE: for round surface mount electrical box, remove the liner from the foam gasket (AA) and stick to edge of the round surface box. Pull the wires through.



Make sure the gasket (AA) properly seals the gap between the wall plate and electrical box to prevent water from seeping into the j-box. (Proceed to Step 1)



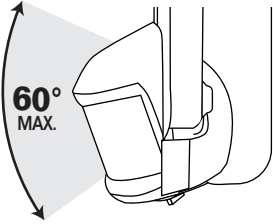
- 5 Fixture must be properly grounded. Using the provided wire nuts (DD), connect fixture ground wire to ground wire. These wires can be either green or bare copper. Connect black supply lead with the black fixture wires and white supply lead with the white fixture wires using the wire nuts (DD). Secure the wire nuts properly to prevent the wires from coming loose. Push connections and excess wires back into the compartment.
- 6 Determine which machine screws ((BB) or (CC)) fit the threaded holes in the j-box. Insert them through the mounting holes in the wall plate and in the threaded holes in the j-box and tighten. Tighten the machine screws (CC) until snug with the included Allen wrench (EE).
- 7 Use silicone adhesive caulking (not included) to seal the gap between the wall plate and the mounting surface to prevent water seepage into the j-box.

LIGHT AND PIR SENSOR ORIENTATION

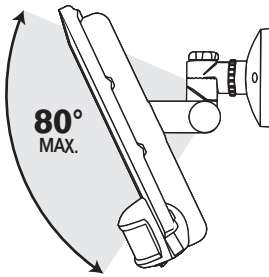
THE CONTROL PANEL (LOCATED ON THE UNDER SIDE OF THE SENSOR) MUST FACE DOWN TOWARD THE GROUND AT ALL TIMES TO PREVENT WATER FROM ENTERING AND DAMAGING THE UNIT.

SENSOR ORIENTATION

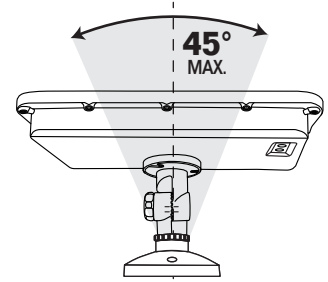
The sensor can be tilted up and down. Adjust the sensor to preferred angle.



LIGHT ORIENTATION



To adjust the angle of the light, loosen the two knobs on the back of the light and position the light as preferred (up and down, or left and right). Once in position, tighten both knobs to lock the light into place.



BRIGHTNESS AND COLOR TEMPERATURE OPERATIONS

SELECTING BRIGHTNESS

By pressing this button, select either "High Beam" (7000 lumens) or "Low Beam" (2000 lumens).

NOTE: The default setting is "High Beam" (7000 lumens).



NOTE: The default setting is Daylight (5000°K).

SELECTING WHITE LIGHT

By pressing this button, select from Warm White (3000°K), Bright White (4000°K) or Daylight (5000°K).

USING THE LIGHT ACTIVATION CONTROLS

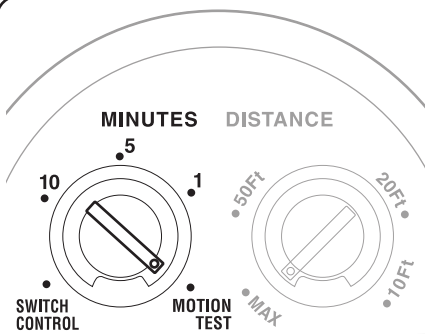
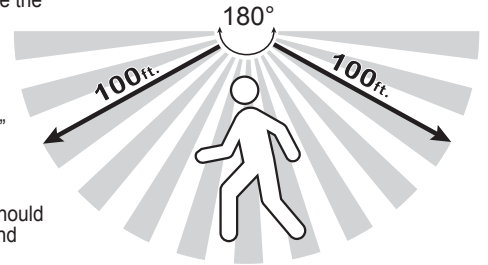
! THE FIXTURE CANNOT BE USED AS A DUSK-TO-DAWN LIGHT. THE FIXTURE HAS A BUILT-IN LIGHT SENSOR THAT PREVENTS THE MOTION SENSOR FROM ACTIVATING DURING DAYLIGHT HOURS.

MOTION TEST MODE TO SET DISTANCE

Rotate the **MINUTES** control knob to **MOTION TEST** to calibrate the fixture. The light will turn on for approximately 20 seconds.

Allow the motion sensor about 2 minutes to warm up prior to conducting the "walk by test".

With the control knob set to **MOTION TEST**, do a "Walk by Test" by walking in front of the motion sensor (figure at right). As movement is detected, the light will activate. Remain still for approximately 5 seconds (when movement is no longer detected), the light will shut off. Resume walking and the light should turn on. Once out of the detection range, the light will shut off and the test is complete.



When the **MINUTES** control is set to **MOTION TEST**, the light will operate both during daylight and night time.

SET MINUTES KNOB TO

Motion Test

SET DISTANCE KNOB TO

Any distance

SET WALL SWITCH TO

ON

SETTING THE LIGHT DURATION TIME

Rotate the **MINUTES** control knob away from the **MOTION TEST** and set between the 1 and 10. Do not rotate the **MINUTES** control knob back to the **TEST** area, or to switch control.

SET MINUTES KNOB TO

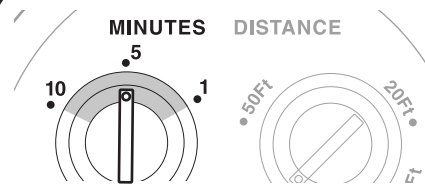
Anywhere from 1 to 10

SET DISTANCE KNOB TO

Any distance

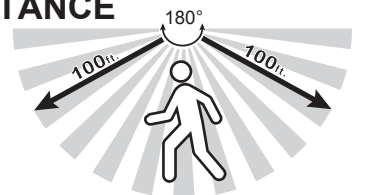
SET WALL SWITCH TO

ON



SETTING THE MOTION DETECTION DISTANCE

Rotate the **DISTANCE** control knob anywhere from "10Ft" to **MAX.** (100 ft) When the **DISTANCE** control knob is turned to "10Ft", the detection zone is very tight and compact, causing the detection sensitivity to be very high. The reverse is true, when the **DISTANCE** control knob is turned to "MAX." it increases the detection zone exponentially. Perform a "walk by test" by walking across the motion detection field at the approximate distance set on the **DISTANCE** control knob.



SET MINUTES KNOB TO

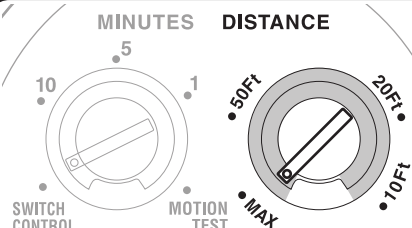
Anywhere from 1 to 10

SET DISTANCE KNOB TO

10Ft to MAX (100 ft.)

SET WALL SWITCH TO

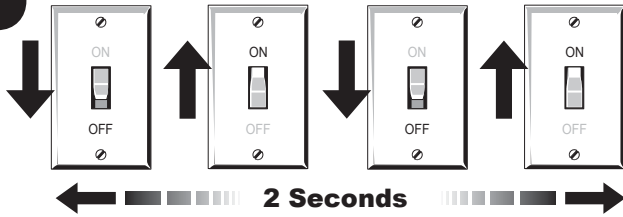
ON



The greater the **DISTANCE** setting, the great the chance for false activations by the (PIR) sensor.

TWO WAYS TO OVERRIDE MOTION SENSOR:

1



MANUAL OVERRIDE allows the light to turn on at any time, by overriding all sensor controls. It will go back to motion activations the next night.

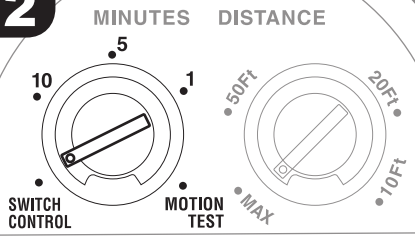
SETTING THE LIGHT MANUAL OVERRIDE

If the security light has been turned off at the switch, turn it on for 60 seconds to allow the (PIR) sensor time to warm up prior to initiating the manual override sequence.

To switch over to manual mode, switch the power OFF-ON-OFF-ON within 2 seconds. There are 2 ways to return to sensor control:

- 1) To immediately switch out of manual mode, repeat the manual mode sequence of power OFF-ON-OFF-ON within 2 seconds. This will cancel out manual mode.
- OR**
- 2) The security light will remain on until the built-in sensor detects the next dusk-dawn cycle. Once light is detected, it will allow the motion sensor to return to controlling the fixture the next day.

2



SWITCH CONTROL MODE

Switch Control allows the light to turn on at any time, by overriding all sensor controls, so the light comes on regardless of time of day.

NOTE: If the fixture is in Switch Control Mode the built-in light Sensor functions will not work. If you want to temporarily override the dusk to dawn and motion sensor functions, then you should use the manual override directions (see Above).

SET MINUTES KNOB TO

Switch Control

SET DISTANCE KNOB TO

Any distance.

SET WALL SWITCH TO

ON

TROUBLESHOOTING GUIDE

Before doing any work on the fixture, shut off power supply at the circuit breaker panel to avoid electrical shock.

PROBLEM	POSSIBLE CAUSE	CORRECTIVE ACTION
Security light does not come on.	<ol style="list-style-type: none"> 1. Light switch is off. 2. Fuse is blown/circuit breaker has tripped. 3. Fixture not properly wired to junction box. 4. Light is detected by sensor. 5. Motion sensor is pointed in the wrong direction. 6. Air temperature is about the same as a person's body temperature and the (PIR) sensor cannot "see" the person. 	<ol style="list-style-type: none"> 1. Turn light switch on. 2. Replace fuse/ turn the circuit breaker back on. 3. Discontinue use, call an electrician. 4. Recheck at night. 5. Readjust motion sensor. 6. Decrease the DISTANCE control setting.
Light continuously cycles ON and OFF (Strobe effect).	<ol style="list-style-type: none"> 1. Light sensor is triggered by reflected light from the security light itself. 2. Heat is being reflected from other sources and may be triggering sensor on and off. 	<ol style="list-style-type: none"> 1. Change the position of the light head, aim light away from the reflecting surfaces. 2. Decrease the DISTANCE control setting.
Light turns on during daylight hours.	<ol style="list-style-type: none"> 1. Light may be installed in shadows/dark area. 2. The MINUTES control knob is set to MOTION TEST. 	<ol style="list-style-type: none"> 1. Light is operating as it was designed. Use manual override if necessary. Or set to "switch control". 2. Set the MINUTES control knob somewhere between 1 and 10.
Light comes on for No apparent reason.	<ol style="list-style-type: none"> 1. Sensor may be triggered by an animal or passing car. 2. Hot air (dryer vent, car exhaust, etc.) may trigger the sensor. 	<ol style="list-style-type: none"> 1. Decrease the DISTANCE control setting as necessary. 2. Increase the DISTANCE control setting as necessary.
Light stays on Continuously.	<ol style="list-style-type: none"> 1. Motion sensor may be picking up a continuous flow of warm air from an air vent, dryer vent or heat reflecting off a surface. 2. Interference generated from transformers, fluorescent light fixtures or electric motors are connected to the same circuit. 	<ol style="list-style-type: none"> 1. Reposition the motion sensor. 2. Install the light on a circuit without transformers, fluorescent light fixtures or electric motors connected to the circuit.
Light flashes on for 20 Seconds at a time day or night.	<ol style="list-style-type: none"> 1. The MINUTES control knob is set to MOTION TEST. 	<ol style="list-style-type: none"> 1. Set the MINUTES control knob somewhere between 1 and 10.
Light head slips down.	<ol style="list-style-type: none"> 1. Star knobs are loose. 	<ol style="list-style-type: none"> 1. Reposition light head and tighten star knobs.
Light output is to bright or to low.	<ol style="list-style-type: none"> 1. Brightness button was pressed to many times. 	<ol style="list-style-type: none"> 1. Press the low/high beam control button once to change the high/low beam.
Light output is too warm, neutral, cool.	<ol style="list-style-type: none"> 1. Press white light selection button to desired light temp. 	<ol style="list-style-type: none"> 1. Press white light selection button to change to a warmer, more neutral or cooler white light selection.

REPLACEMENT PARTS LIST: Hardware Kit: ZH-SE1249-F01-WH3

Good Earth Lighting® - 10 YEAR LIMITED WARRANTY: The manufacturer warrants this lighting fixture to be free from defects in materials and workmanship for a period of (10) years from the date of original purchase by the consumer. The fixture is not warranted for use in a commercial or retail application. The warranty is limited to use in a residential environment. We will repair or replace (at our option) the unit in the original color and style if available, or in a similar color and style if the original item has been discontinued, without charge. Defective units must be properly packed and returned to the manufacturer with a letter of explanation and your original purchase receipt showing date of purchase. Call **1-800-291-8838** to obtain a return authorization number and an address where to ship your defective product. **Note:** C.O.D. shipments will **NOT** be accepted. The liability of the manufacturer is in any case limited to replacement of the defective light fixture product. The manufacturer will not be liable for any other loss, damage, labor costs or injury which is caused by the product. This limitation upon the liability of the manufacturer includes any loss, damage, labor costs or injury which is (I) to person or property or otherwise; (II) incidental or consequential in nature; (III) based upon theories of warranty, contract, negligence, strict liability, tort, or otherwise; or (IV) directly, or indirectly related to the sale, use, or repair of the product. This warranty gives you specific rights, and you may also have other rights which vary from state to state.

FCC STATEMENT: This device complies with Part 15 of the FCC rules. Operation is subject to the following two conditions: (1) This device may not cause harmful interference, and (2) this device must accept any interference received, including interference that may cause undesired operation. Warning: Changes or modifications to this unit not expressly approved by the party responsible for compliance could void the user's authority to operate the equipment. Note: This equipment has been tested and found to comply with the limits for a Class B digital device, pursuant to Part 15 of the FCC rules. These limits are designed to provide reasonable protection against harmful interference in a residential installation. This equipment generates, uses and can radiate radio frequency energy and, if not installed and used in accordance with the instructions, may cause harmful interference to radio communications. However, there is no guarantee that the interference will not occur in a particular installation. If this equipment does cause harmful interference to radio or television reception, which can be determined by turning the equipment off and on, the user is encouraged to try to correct the interference by one or more of the following measures: 1) Reorient or relocate the receiving antenna. 2) Increase the separation between the equipment and receiver. 3) Connect the equipment into an outlet on a circuit different from that of the receiver. 4) Consult the dealer or an experienced radio/TV technician for help.



Need Help?

Please visit our website at: www.goodearthlighting.com/support or call the Customer Care Center **1-800-291-8838**, 8:30 a.m.-5 p.m., CST, Monday-Friday.

Good Earth Lighting® 1400 East Business Center Drive, Ste. 108 Mount Prospect, IL 60056

Good Earth Lighting® is a registered trademark of Good Earth Lighting, Inc. © 2020 Good Earth Lighting, Inc.

Printed in Vietnam **4**



METTEZ HORS TENSION AU NIVEAU DU DISJONCTEUR OU DU PANNEAU DE FUSIBLES AVANT DE RETIRER L'ANCIEN LUMINAIRE OU D'INSTALLER LE NOUVEAU.

⚠ AVERTISSEMENTS ET MISES EN GARDE

FRANÇAIS

1. Ce luminaire ne peut être installé que sur un coffret électrique encastré OU sur un coffret électrique à montage en surface homologué UL pour les endroits très humides. Pour les coffrets électriques encastrés il est **IMPÉRATIF** que le bord extérieur de la voûte murale soit complètement scellé avec de la colle silicone RTV, et pour les coffrets électriques à montage en surface il est nécessaire d'utiliser le joint en mousse (inclus) pour empêcher les infiltrations d'eau dans le coffret électrique. Si l'on ne scelle pas l'enceinte de la voûte, les infiltrations d'eau risquent de court-circuiter la matrice et de provoquer une défaillance du produit et/ou d'autres problèmes de sécurité.
2. **NE MONTEZ PAS SUR UN MATÉRIAU POUR AVANT-TOIT PERFORÉ OU EN SOFFITE CANALISÉ** avec une boîte de jonction encastrée. Cela pourrait permettre à l'eau de s'infiltrer à l'intérieur du luminaire et entraîner une situation dangereuse et/ou une défaillance du luminaire.
3. Ne fixez pas directement les DEL des yeux pendant des périodes prolongées. Ceci pourrait causer des lésions oculaires.
4. Les DEL peuvent être endommagées par une décharge électrostatique. Avant l'installation, déchargez-vous en touchant une surface en métal nue mise à la terre pour éliminer un tel risque.
5. Conducteurs d'alimentation à 90°C minimum. Regardez l'étiquette du luminaire pour connaître les caractéristiques électriques du luminaire.
6. Si vous ne savez pas de façon certaine si le coffret électrique est mis à la terre correctement, si le coffret est en plastique et n'a pas de fil de mise à la terre ou si vous ne connaissez pas les façons de mettre votre luminaire correctement à la terre, consultez un électricien professionnel.
7. **N'UTILISEZ PAS** ce luminaire avec des gradateurs.
8. Le luminaire fonctionnera de façon fiable aux températures comprises entre -30°C et 50°C. (A des températures supérieures à 33° C / 92° F, le détecteur PIR ne peut pas détecter la chaleur corporelle.)

LISEZ TOUTE LA PROCÉDURE D'INSTALLATION AVANT DE COMMENCER !

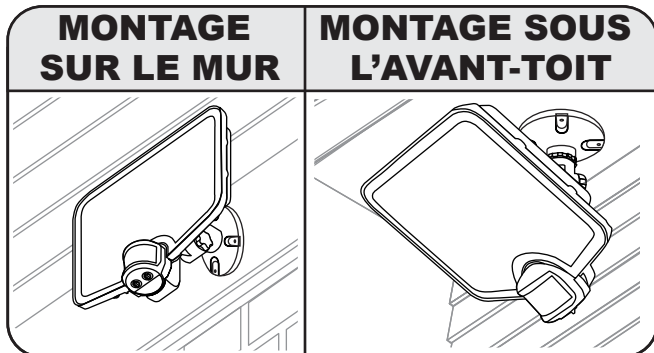
COMMENT CHOISIR UN LIEU D'INSTALLATION

IMPORTANT ! LISEZ CECI AVANT DE COMMENCER !

- 1 Sélectionnez un endroit qui permet au détecteur de fonctionner à son niveau le plus élevé.
- 2 Le luminaire peut être monté de deux façons différentes : **MONTAGE SUR LE MUR** ou **MONTAGE SOUS L'AVANT-TOIT**.
- 3 Ce système d'éclairage de sécurité utilise la technologie PIR (détecteur de mouvement passif à infrarouge) pour allumer automatiquement la lumière. Le détecteur infrarouge passif ne détecte pas le mouvement proprement dit, mais il détecte les différences entre la température ambiante et celle des objets plus chauds qui se trouvent dans son champ de vision. Il serait donc possible que le détecteur soit déclenché par une variété d'autres sources, y compris des événements de séchoir, des jacuzzis, etc. Le détecteur PIR ne peut pas détecter de mouvement à travers du plexiglas ou du verre. Sélectionnez soigneusement un lieu d'installation. Ne dirigez pas le détecteur PIR vers des zones à circulation piétonnière ou motorisée fréquente et/ou vers d'autres objets générant des zones d'air plus chaud. Tous ces éléments peuvent déclencher l'éclairage de sécurité du détecteur de mouvement et perturber le fonctionnement prévu du système d'éclairage.
- 4 Ne l'installez **PAS** à proximité d'autres sources de lumière, car cela pourrait tromper le détecteur du crépuscule à l'aube en lui faisant croire qu'il fait jour, et cela pourrait empêcher le bon fonctionnement de la lumière.

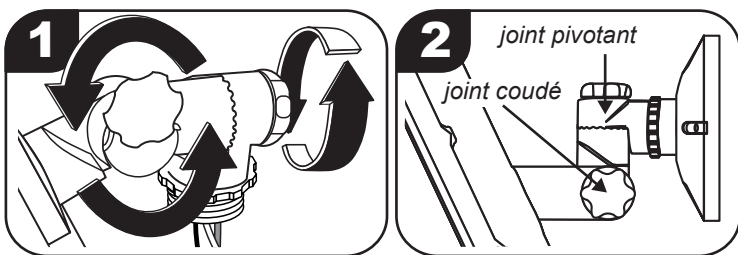
MONTAGE SUR LE MUR

MONTAGE SOUS L'AVANT-TOIT



NE MONTEZ PAS SUR UN MATÉRIAU POUR AVANT-TOIT EN SOFFITE CANALISÉ OU PERFORÉ !

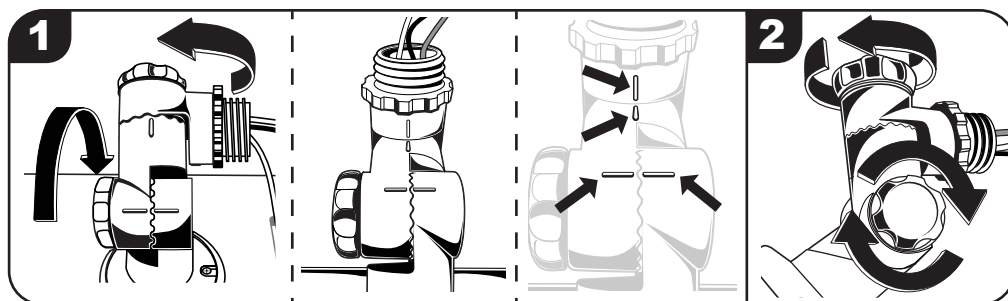
PRÉPARATION POUR LE MONTAGE



- 1 Après avoir déballé le luminaire, desserrez les deux boutons en étoile sur les bras de montage situés à l'arrière du luminaire.
- 2 Les bras comportent des repères de positionnement en forme de tirets pour faciliter l'installation, à la fois pour le **MONTAGE STANDARD SUR LE MUR** et pour le **MONTAGE STANDARD SOUS L'AVANT-TOIT**. En alignant les repères en forme de tirets (« - » et « - - »), le bras sera positionné pour deux configurations très différentes. En alignant les marques « - » sur le joint coudé et ensuite sur le joint pivotant, le bras de montage est articulé pour l'installation de type **MONTAGE SUR LE MUR**. En alignant les marques « - - » sur le joint coudé et ensuite sur le joint pivotant, le bras de montage est articulé pour l'installation de type **MONTAGE SOUS L'AVANT-TOIT**.

PRÉPARATION

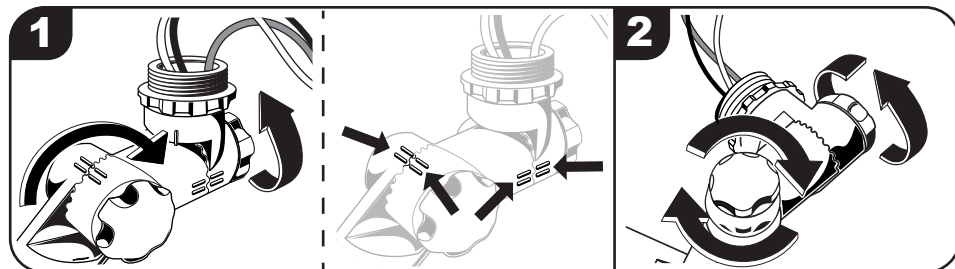
OPTION 1 : MONTAGE SUR LE MUR



- 1 Alignez les marques « - » sur le joint coudé et sur le joint pivotant.
- 2 Serrez les deux boutons en étoile.

REMARQUE : Le détecteur PIR et la tête d'éclairage doivent être montés de façon que le panneau de commande soit orienté vers le sol afin d'empêcher l'infiltration d'eau pouvant endommager le luminaire. Un montage non conforme à cette instruction annulera la garantie.

OPTION 2 : MONTAGE SOUS L'AVANT-TOIT



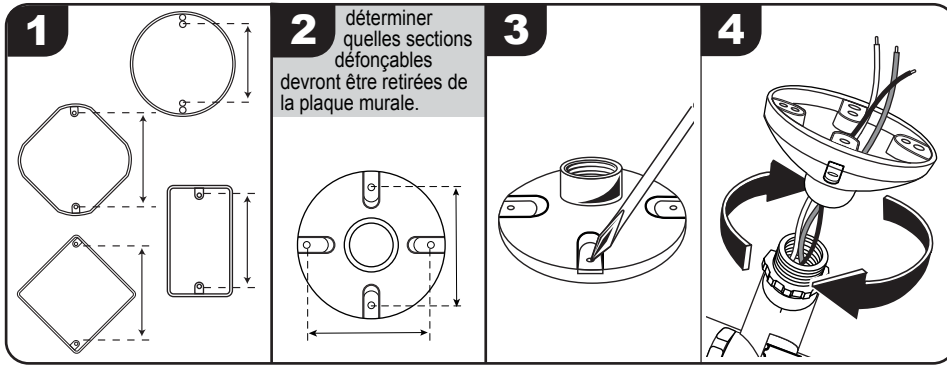
- 1 Alignez les marques « = » sur le joint coudé et sur le joint pivotant.
- 2 Serrez les deux boutons en étoile.

REMARQUE : Le détecteur PIR et la tête d'éclairage doivent être montés de façon que le panneau de commande soit orienté vers le sol afin d'empêcher l'infiltration d'eau pouvant endommager le luminaire. Un montage non conforme à cette instruction annulera la garantie.

INSTALLATION

⚠ AVERTISSEMENT! COUPEZ L'ALIMENTATION ÉLECTRIQUE AVANT DE RETIRER OU D'INSTALLER UN LUMINAIRE.

Le luminaire peut être monté en utilisant un coffret électrique à montage en surface rond ou un coffret électrique encastré.



1 Avant de commencer l'installation, mesurez la distance entre les trous sur la boîte de jonction pour faire correspondre cette distance à la distance entre les trous sur la plaque murale du luminaire.

Pour le montage en surface : Utilisez seulement avec un coffret électrique de montage en surface homologué par UL pour emploi dans un endroit exposé aux intempéries.

2 La plaque murale est formée avec deux jeux de trous de montage séparés par des distances différentes. Avant d'attacher la plaque murale au luminaire, déterminez quel jeu de trous de montage correspond à ceux du coffret électrique.

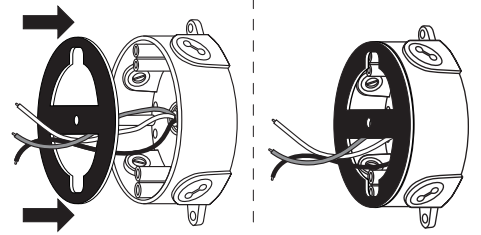
3 Une fois sélectionnées, retirez les sections défonçables à ces endroits en martelant délicatement avec un tournevis à pointe cruciforme, un poinçon ou un clou jusqu'à ce que les sections défonçables se détachent.

4 Faites passer les fils du luminaire à travers la plaque murale et attachez la plaque murale au bras de montage.

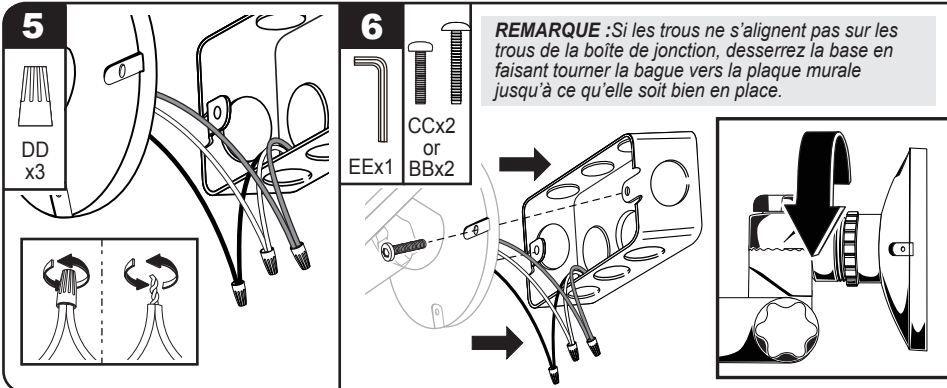
COFFRETS ÉLECTRIQUES À MONTAGE EN SURFACE ROND



REMARQUE : Pour les coffrets électriques à montage en surface, retirez la pellicule protectrice d'un côté du joint d'étanchéité en mousse (AA) et collez-le sur le bord du coffret à montage en surface rond. Tirez sur les fils pour les faire passer à travers.



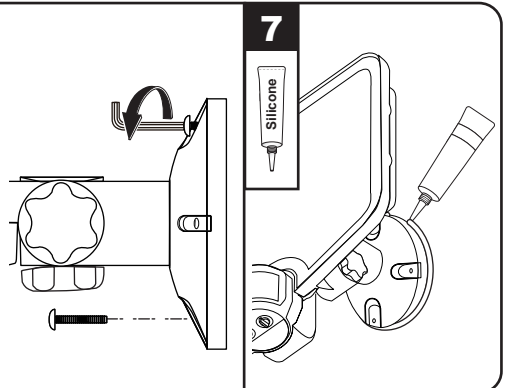
Assurez-vous que le joint d'étanchéité (AA) scelle correctement l'écart entre la plaque murale et le coffret électrique afin d'empêcher de l'eau de s'infiltrer dans la boîte de jonction électrique. (Passez à l'étape 1.)



5 Le luminaire doit être mis à la terre de façon appropriée. En utilisant les capuchons de connexion (DD) fournis, connectez le fil de mise à la terre du luminaire au fil de mise à la terre. Ces fils peuvent être soit verts, soit en cuivre nu. Connectez le fil d'alimentation noir au fil noir du luminaire et le fil d'alimentation blanc au fil blanc du luminaire en utilisant des serre-fils (DD). Serrez correctement les capuchons de connexion pour ne pas risquer que les fils se desserrent. Enfoncez à nouveau les connexions et les longueurs excédentaires de fils à l'intérieur du compartiment.

6 Déterminez quelles vis mécaniques (BB) ou (CC) correspondent aux trous filetés de la boîte de jonction. Insérez-les à travers les trous de montage dans la plaque murale et dans les trous filetés de la boîte de jonction et serrez. Serrez les vis mécaniques (CC) jusqu'à ce qu'elles soient bien en place avec la clé Allen (EE) fournie.

7 Utilisez du silicone de calfeutrage adhésif (non inclus) pour calfeutrer l'espace entre la plaque murale et la surface de montage afin de prévenir toute infiltration d'eau dans la boîte de jonction électrique.

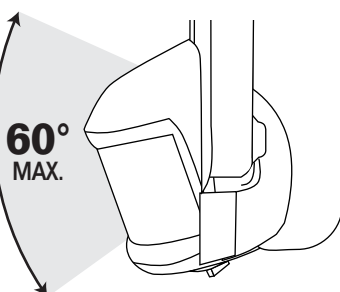


ORIENTATION DE L'ÉCLAIRAGE ET DU DÉTECTEUR PIR

LE PANNEAU DE COMMANDE (SITUÉ SUR LE DESSOUS DU DÉTECTEUR) DOIT ÊTRE ORIENTÉ VERS LE BAS (VERS LE SOL) EN TOUT TEMPS POUR EMPÊCHER LA PÉNÉTRATION D'EAU DANS L'ÉQUIPEMENT ET LES DOMMAGES QUE CELA POURRAIT CAUSER.

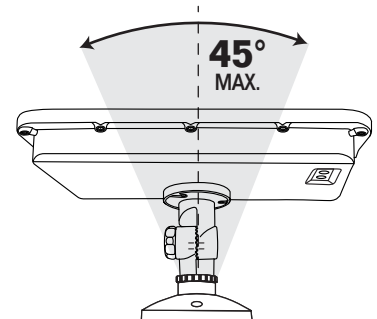
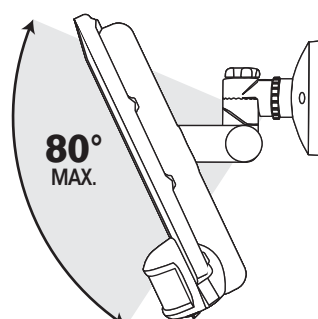
ORIENTATION DU DÉTECTEUR

Le détecteur peut être incliné vers le haut et vers le bas. Ajustez le détecteur à l'angle préféré.



ORIENTATION DE L'ÉCLAIRAGE

Pour ajuster l'angle d'éclairage, desserrez les deux boutons à l'arrière de la lampe et positionnez la lampe selon vos préférences (vers le haut ou vers le bas, vers la gauche ou vers la droite). Une fois qu'elle sera bien en place, serrez les deux boutons pour verrouiller la lampe en place.



SÉLECTION DE LA LUMINOSITÉ ET DÉTERMINATION DE LA TEMPÉRATURE DE COULEUR POUR LE FONCTIONNEMENT

SÉLECTION DE LA LUMINOSITÉ

En appuyant sur ce bouton, sélectionnez soit « High Beam » (Faisceau d'intensité lumineuse élevée – 7 000 lumens), soit « Low Beam » (Faisceau d'intensité lumineuse faible – 2 000 lumens).

REMARQUE : Le paramètre par défaut est « High Beam » (Faisceau d'intensité lumineuse élevée – 7 000 lumens).



REMARQUE : Le paramètre par défaut est Daylight (Lumière du jour – 5 000° K).

SÉLECTION D'UNE LUMIÈRE BLANCHE

En appuyant sur ce bouton, sélectionnez Warm White (Blanc chaud – 3 000° K), Bright White (Blanc lumineux – 4 000° K) ou Daylight (Lumière du jour – 5 000° K).

UTILISATION DES COMMANDES D'ACTIVATION DE LA LUMIÈRE

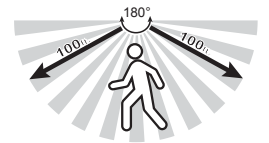
! LE LUMINAIRE NE PEUT PAS ÊTRE UTILISÉ COMME SYSTÈME D'ÉCLAIRAGE DU CRÉPUSCULE À L'AUBE. LE LUMINAIRE EST DOTÉ D'UN DÉTECTEUR OPTIQUE INTÉGRÉ QUI EMPÊCHE LE DÉTECTEUR DE MOUVEMENT DE S'ACTIVER PENDANT LA JOURNÉE.

MODE DE TEST DE MOUVEMENT POUR RÉGLER LA DISTANCE

Faites tourner le bouton de commande **MINUTES** sur **MOTION TEST** (Test de mouvement) afin d'étalonner le luminaire. La lumière s'allumera pendant environ 20 secondes.

Laissez le détecteur de mouvement chauffer pendant environ 2 minutes avant d'effectuer le « test de marche ».

Après avoir réglé le bouton de commande sur **MOTION TEST** (Test de mouvement), effectuez un « test de marche » en marchant devant le détecteur de mouvement (figure à droite). La lumière s'allume quand un mouvement est détecté. Ne bougez pas pendant environ cinq secondes. Quand aucun mouvement n'est détecté alors, la lumière s'éteint. Recommencez à marcher. La lumière devrait s'allumer à nouveau. Une fois hors de la plage de détection, la lumière s'éteint ; le test est terminé.



RÉGLEZ LE BOUTON MINUTES SUR

Motion Test (Test de mouvement).

RÉGLEZ LE BOUTON DISTANCE SUR

N'importe quelle distance.

RÉGLEZ L'INTERRUPTEUR MURAL SUR

ON (Allumé)

RÉGLAGE DE LA DURÉE DE L'ÉCLAIRAGE

Tournez le bouton de commande **MINUTES** pour sortir de **MOTION TEST** (Test de mouvement) et réglez-le entre 1 et 10. Ne tournez pas à nouveau le bouton de commande **MINUTES** dans la zone de **TEST**, ou sur la commande de l'interrupteur.

RÉGLEZ LE BOUTON MINUTES SUR

N'importe quelle valeur comprise entre 1 et 10

RÉGLEZ LE BOUTON DISTANCE SUR

N'importe quelle distance.

RÉGLEZ L'INTERRUPTEUR MURAL SUR

ON (Allumé)

RÉGLAGE DE LA DISTANCE POUR LA DÉTECTION DE MOUVEMENTS

Tournez le bouton de commande **DISTANCE** n'importe où entre « 10Ft » (3 m) et MAX. (30 m / 100 pi) Lorsque le bouton de commande **DISTANCE** est tourné sur « 10Ft » (3 m), la zone de détection est très étroite et compacte, ce qui entraîne une sensibilité très élevée de la détection. C'est exactement le contraire qui est vrai lorsque le bouton de commande **DISTANCE** est tourné sur « MAX. » La plage de détection augmente alors de façon exponentielle. Effectuez un « test de marche » en parcourant le champ de détection de mouvement à la distance approximative indiquée sur le bouton de commande **DISTANCE**.

RÉGLEZ LE BOUTON MINUTES SUR

N'importe quelle valeur comprise entre 1 et 10

RÉGLEZ LE BOUTON DISTANCE SUR

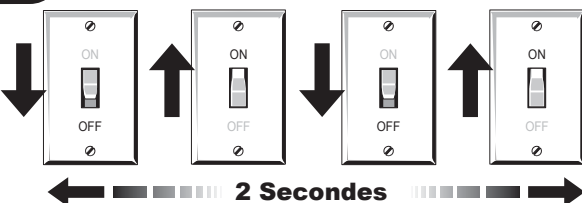
de « 10Ft » (3 m) à MAX (100 pi / 21 m)

RÉGLEZ L'INTERRUPTEUR MURAL SUR

ON (Allumé)

DEUX FAÇONS DE NEUTRALISER LE DÉTECTEUR DE MOUVEMENT:

1 RÉGLAGE DE LA COMMANDE MANUELLE DE NEUTRALISATION POUR L'ÉCLAIRAGE



La commande **MANUAL OVERRIDE (COMMANDE MANUELLE DE NEUTRALISATION)** permet d'allumer la lumière à tout moment en neutralisant toutes les commandes du détecteur. Il retournera au mode d'activation par le mouvement la nuit suivante.

Si l'éclairage de sécurité a été éteint par le biais de l'interrupteur, rallumez-le pendant 60 secondes pour permettre au détecteur (PIR) de chauffer avant d'utiliser la commande manuelle de neutralisation.

Pour passer en mode manuel, appliquez la séquence OFF-ON-OFF-ON (« mise hors tension, sous tension, hors tension, sous tension ») en l'espace de deux secondes. Il existe deux manières de restituer le contrôle au détecteur :

1) Pour sortir immédiatement du mode manuel, répétez la séquence de passage en mode manuel OFF-ON-OFF-ON (« mise hors tension, sous tension, hors tension, sous tension ») en l'espace de deux secondes. Ceci annulera le mode manuel.

OU

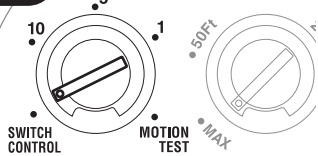
2) L'éclairage de sécurité restera allumé jusqu'à ce que le détecteur intégré détecte le cycle de crépuscule à l'aube suivant. Une fois que de la lumière est détectée, le détecteur de mouvement pourra reprendre le contrôle du luminaire le lendemain.

2

MINUTES DISTANCE

MODE DE COMMANDE PAR L'INTERRUPTEUR

La commande par l'interrupteur permet d'allumer la lumière à tout moment en neutralisant toutes les commandes du détecteur afin que la lumière puisse s'allumer quel que soit le moment du jour ou de la nuit.



RÉGLEZ LE BOUTON MINUTES SUR

Commande par l'interrupteur

RÉGLEZ LE BOUTON DISTANCE SUR

N'importe quelle distance.

RÉGLEZ L'INTERRUPTEUR MURAL SUR

ON (Allumé)

REMARQUE : Si le luminaire est dans le mode de commande par l'interrupteur, les fonctions incorporées d'éclairage par détection de mouvements sont désactivées. Si vous voulez neutraliser temporairement les fonctions de détecteur de mouvement et de fonctionnement du crépuscule à l'aube, suivez les instructions de neutralisation manuelle (voir plus haut).

GUIDE DE RECHERCHE DE LA CAUSE DES PROBLÈMES

Avant de manipuler le luminaire, coupez l'alimentation électrique sur le panneau central de disjoncteurs pour éliminer les risques de choc électrique.

LISTE DES PIÈCES DE RECHANGE: Kit de petit matériel de fixation : ZH-SE1249-F01-WH3

PROBLÈME	CAUSE POSSIBLE	ACTION CORRECTIVE
L'éclairage de sécurité ne s'allume pas.	<ol style="list-style-type: none"> 1. L'interrupteur du luminaire est hors tension. 2. Le fusible est grillé ou le disjoncteur s'est déclenché. 3. Le luminaire n'est pas raccordé correctement à la boîte de jonction. 4. La lumière est détectée par le détecteur. 5. Le détecteur de mouvement est orienté dans le mauvais sens. 6. La température de l'air est à peu près la même que celle de la personne présente, et le détecteur (PIR) ne peut pas « voir » la personne. 	<ol style="list-style-type: none"> 1. Mettez l'interrupteur sous tension. 2. Remplacez le fusible / réarmez le disjoncteur pour remettre le circuit sous tension. 3. Cessez d'utiliser, appelez un électricien. 4. Vérifiez à nouveau ce qui se passe la nuit. 5. Réajustez le détecteur de mouvement. 6. Réduisez la valeur du paramètre de commande DISTANCE.
La lumière clignote continuellement (effet stroboscopique).	<ol style="list-style-type: none"> 1. Le détecteur optique est déclenché par la lumière réfléchie provenant de l'éclairage de sécurité lui-même. 2. De la chaleur est réfléchie depuis d'autres sources et peut également causer l'activation ou la désactivation du détecteur. 	<ol style="list-style-type: none"> 1. Changez la position de la tête d'éclairage, Et dirigez la lumière loin des surfaces réfléchissantes. 2. Réduisez la valeur du paramètre de commande DISTANCE.
La lumière s'allume pendant la journée.	<ol style="list-style-type: none"> 1. La lampe peut être installée dans une zone sombre/à l'ombre. 2. Le bouton de commande MINUTES est réglé sur MOTION TEST. 	<ol style="list-style-type: none"> 1. L'éclairage fonctionne comme cela est prévu. Utilisez la commande manuelle de neutralisation si nécessaire. Ou réglez sur « switch control » (« commande par l'interrupteur ») 2. Réglez le bouton de commande MINUTES sur n'importe quelle valeur comprise entre 1 et 10.
La lumière s'allume sans raison apparente.	<ol style="list-style-type: none"> 1. Le détecteur peut être déclenché par un petit animal ou par une voiture qui passe. 2. De l'air chaud (événement de sécheuse, pot d'échappement d'une voiture) peut déclencher le détecteur. 	<ol style="list-style-type: none"> 1. Réduisez la valeur du paramètre de commande DISTANCE selon les besoins. 2. Augmentez la valeur du paramètre de commande DISTANCE selon les besoins.
La lumière reste allumée continuellement.	<ol style="list-style-type: none"> 1. Le détecteur de mouvement peut capter un flux continu d'air chaud provenant d'une prise d'air, d'un événement de sécheuse ou de chaleur réfléchie par une surface. 2. Une interférence peut être générée par les transformateurs, les luminaires fluorescents ou les moteurs électriques qui sont connectés au même circuit. 	<ol style="list-style-type: none"> 1. Repositionnez le détecteur de mouvement. 2. Branchez la lampe sur un circuit sans transformateur, luminaire fluorescent ou moteur électrique connecté au circuit.
La lumière clignote pendant 20 secondes à la fois, le jour ou la nuit.	<ol style="list-style-type: none"> 1. Le bouton de commande MINUTES est réglé sur MOTION TEST. 	<ol style="list-style-type: none"> 1. Réglez le bouton de commande MINUTES sur n'importe quelle valeur comprise entre 1 et 10.
La tête d'éclairage a tendance à s'affaisser	<ol style="list-style-type: none"> 1. les boutons en étoile sont desserrés. 	<ol style="list-style-type: none"> 1. Repositionnez la tête d'éclairage et serrez les boutons en étoile
La lumière projetée est trop brillante ou pas assez brillante	<ol style="list-style-type: none"> 1. le bouton de réglage de l'intensité lumineuse a été enfoncé trop souvent. 	<ol style="list-style-type: none"> 1. appuyez une fois sur le bouton de commande « low/high beam » (faible/haute intensité lumineuse) pour changer la luminosité de l'éclairage.
La lumière est trop chaude, neutre, froide.	<ol style="list-style-type: none"> 1. appuyez sur « white light » (lumière blanche) de sélection de la lumière blanche à la température de lumière souhaitée. 	<ol style="list-style-type: none"> 1. Appuyez sur le bouton de sélection de la lumière blanche pour sélectionner une couleur blanche plus chaude, plus neutre ou plus froide.

Good Earth Lighting® – GARANTIE LIMITÉE DE 10 ANS: Le fabricant garantit que ce luminaire ne comporte pas de défaut de matériau ou de vice de fabrication pendant une période de (10) ans après la date de l'achat original par le consommateur. Le luminaire n'est pas garanti en cas d'emploi dans un magasin de vente au détail ou autre environnement commercial. La garantie est limitée à une utilisation dans un environnement résidentiel. Nous réparerons ou remplacerons sans frais (à notre choix) le luminaire dans la couleur et le style d'origine dans la mesure des disponibilités, ou dans une couleur et un style similaires si l'article original n'est plus fabriqué. Les luminaires défectueux doivent être conditionnés de façon appropriée et renvoyés au fabricant avec une lettre d'explication et l'original de votre reçu indiquant la date de l'achat. Téléphonnez au **1-800-291-8838** pour obtenir un numéro d'autorisation de renvoi et une adresse pour y envoyer votre produit défectueux. **Remarque :** AUCUN envoi en port dû ne sera accepté. La responsabilité du fabricant est limitée dans tous les cas au remplacement du luminaire défectueux. Le fabricant n'assumera aucune responsabilité en cas de pertes, de dommages, de frais de main-d'œuvre ou de blessures causés par le produit. Cette limitation à la responsabilité du fabricant comprend toute perte, tout dommage, tout coût de main-d'œuvre ou tout dommage (I) causé à une personne ou à un bien ou autrement ; (II) de nature accessoire ou consécutive ; (iii) basé sur les théories de la garantie, des contrats, des fautes, de la responsabilité sans faute, de la responsabilité quasi-délictuelle ou autres ; ou (iv) directement ou indirectement en liaison avec la vente, l'utilisation ou la réparation du produit. Cette garantie vous confère des droits particuliers, et vous pouvez également avoir d'autres droits en fonction de l'État ou de la province où vous résidez.

Déclaration de conformité FCC : Cet équipement est conforme à la partie 15 des Règlements de la FCC. Son utilisation est autorisée moyennant le respect des deux conditions suivantes : (1) Cet équipement ne doit pas causer d'interférences nuisibles et (2) cet équipement doit accepter toute interférence reçue, y compris les interférences qui risquent de causer un fonctionnement indésirable. Avertissement : Toute modification ou altération de cet équipement n'ayant pas été approuvée expressément par la partie responsable de la conformité annulerait le droit de l'utilisateur de se servir de cet équipement. Remarque : Cet équipement a été testé et jugé conforme aux limites pour un équipement numérique de Classe B en vertu de la Partie 15 des Règlements de la FCC. Ces limites sont conçues pour assurer une protection raisonnable contre les interférences nuisibles dans une installation résidentielle. Cet équipement émet, utilise et peut rayonner de l'énergie de fréquence radio et, s'il n'est pas installé et utilisé conformément aux instructions, il pourrait causer des interférences nuisibles aux communications radio. Cependant, il n'existe pas de garantie qu'aucune interférence ne se produira dans une installation particulière. Si cet équipement cause des interférences nuisibles pour la réception de programmes à la radio ou à la télévision, ce qui peut être déterminé en allumant et en éteignant à plusieurs reprises l'équipement en question, l'utilisateur est encouragé à corriger l'interférence en prenant une ou plusieurs des mesures suivantes : 1) Réorienter ou déplacer l'antenne de réception. 2) Augmenter la distance entre l'équipement et le récepteur. 3) Connecter l'équipement à une prise de courant ou à un circuit différent de celui du récepteur. 4) Consulter le détaillant ou un technicien radio ou télévision expérimenté pour lui demander conseil.



Avez-vous besoin d'assistance?

Veillez vous rendre sur notre site Web :

www.goodearthlighting.com/support ; ou téléphonez au Centre de service à la clientèle au **1-800-291-8838** de 8h30 à 17h00, HNC, du lundi au vendredi.

Good Earth Lighting® 1400 East Business Center Drive, Ste. 108 Mount Prospect, IL 60056

Good Earth Lighting® est une marque déposée de Good Earth Lighting, Inc. © 2019 Good Earth Lighting, Inc.

Imprimé en Vietnam **8**



DESCONECTE LA ALIMENTACIÓN ELÉCTRICA EN EL PANEL DE CORTACIRCUITOS O DE FUSIBLES ANTES DE RETIRAR EL ACCESORIO PARA ILUMINACIÓN VIEJO O INSTALAR EL NUEVO.

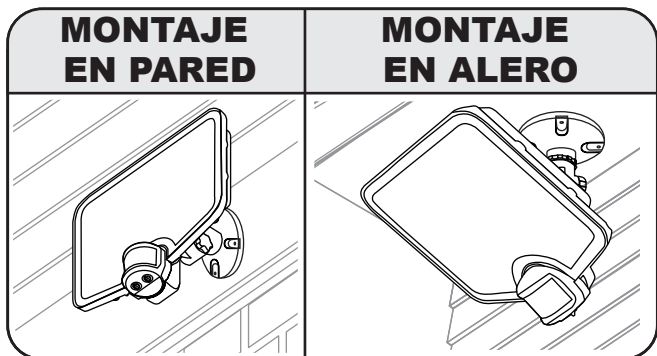
⚠ ADVERTENCIAS Y PRECAUCIONES

ESPAÑOL

- Este accesorio para iluminación solo se puede instalar sobre una caja eléctrica embutida O sobre una caja eléctrica de montaje en superficie homologada por UL con clasificación para exteriores expuestos a precipitación. Las instalaciones sobre cajas eléctricas embutidas **REQUIEREN** que el borde exterior de la cubierta de la pared se selle completamente con adhesivo de silicona RTV, y las cajas de conexiones de montaje en superficie requieren el uso de la empaquetadura de espuma (incluida), para prevenir la filtración de agua al interior de la caja eléctrica. Sin sellar el recinto de la cubierta, la filtración de agua puede cortocircuitar el accionador y causar una falla del producto y/u otros problemas de seguridad.
- NO REALICE EL MONTAJE EN ALERO SOBRE MATERIAL DE SOFITO PERFORADO O ACANALADO** utilizando una caja de conexiones embutida. Se puede filtrar agua al interior del accesorio para iluminación y causar una situación peligrosa y/o una falla del accesorio para iluminación.
- No mire directamente a las luces LED durante un período de tiempo prolongado. Dichas luces pueden causar daños oculares.
- Las luces LED pueden resultar dañadas por una descarga electrostática. Antes de realizar la instalación, descárguese usted tocando una superficie metálica desnuda que esté conectada a tierra para eliminar este peligro.
- Conductores de suministro de 90°C como mínimo. Para conocer las capacidades nominales eléctricas del accesorio para iluminación, consulte la etiqueta del mismo.
- Si no está seguro si la caja eléctrica está conectada a tierra adecuadamente, o si la caja es de plástico y no tiene cable de conexión a tierra, o si usted no está familiarizado con los métodos para conectar adecuadamente a tierra un accesorio para iluminación, consulte a un electricista calificado.
- NO** utilice este accesorio para iluminación con reguladores de la intensidad de la luz.
- El accesorio para iluminación funcionará de manera confiable entre temperaturas de -29 °C y 50 °C. (À des températures supérieures à 33°C, le détecteur PIR ne peut pas détecter la chaleur corporelle.)

¡LEA TODO EL PROCEDIMIENTO DE INSTALACIÓN ANTES DE COMENZAR!

CÓMO SELECCIONAR UNA UBICACIÓN

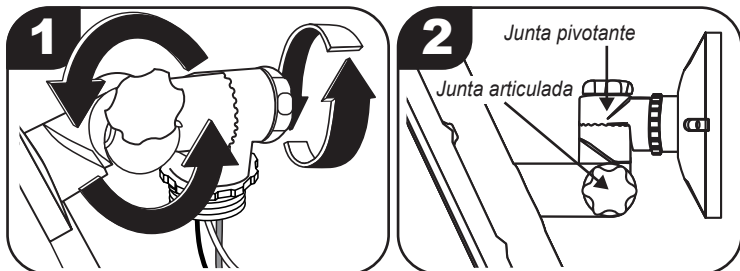


¡¡IMPORTANTE!! ¡LEA ESTO ANTES DE COMENZAR!

- Selecione una ubicación que permita que el sensor funcione a su nivel más alto.
- El accesorio para iluminación se puede montar de dos maneras distintas: **MONTAJE EN PARED** o **MONTAJE EN ALERO**.
- Esta luz de seguridad utiliza tecnología de infrarrojo pasivo (PIR) para encender automáticamente la luz. El infrarrojo pasivo no detecta movimiento, sino que percibe las diferencias en las temperaturas ambiente en comparación con objetos más calientes que se encuentren en su campo de visión. Como tal, el sensor puede ser activado por una variedad de otras fuentes, incluyendo respiraderos de secadores, tinas calientes y cosas similares. El sensor PIR no puede detectar movimiento a través de barreras de plexiglás o de vidrio. Seleccione cuidadosamente una ubicación de instalación. No apunte el PIR hacia áreas que tengan tráfico frecuente de peatones o motorizado y/u otros objetos que generen áreas de aire más caliente. Es posible que todas estas cosas activen la luz de seguridad del sensor de movimiento y puede que sean perturbadoras para el funcionamiento previsto de la luz.
- NO** instale la unidad cerca de otras fuentes de luz, ya que esto puede engañar al sensor de luz incorporado y hacer que crea que es de día, y puede que impida el funcionamiento correcto de la luz.

¡NO REALICE EL MONTAJE EN ALERO SOBRE MATERIAL PERFORADO O DE SOFITO ACANALADO!

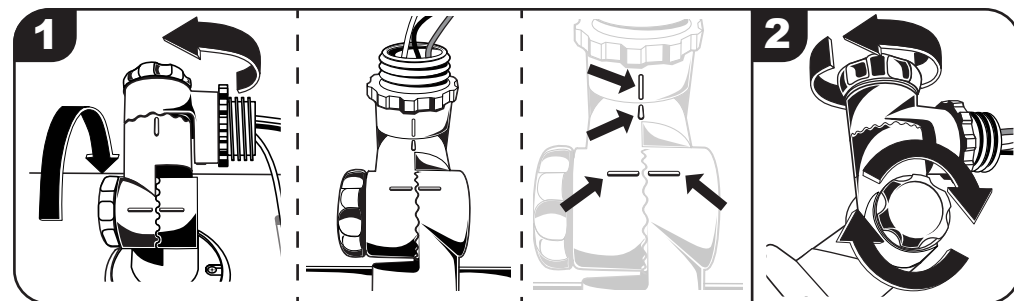
PREPARACIÓN PARA EL MONTAJE



- Después de desempaquetar la luz, afloje ambas perillas en forma de estrella ubicadas en los brazos de montaje que se encuentran en la parte trasera del accesorio para iluminación.
- Los brazos tienen marcas transversales de posición para ayudar en la instalación tanto para el **MONTAJE EN PARED ESTÁNDAR** como para el **MONTAJE EN ALERO ESTÁNDAR**. Al alinear las marcas transversales ("-" y "-"), el brazo se posicionará para dos configuraciones muy diferentes. Al alinear las marcas "-" ubicadas en la junta articulada y luego en la junta pivotante, el brazo de montaje se articula para la instalación de **MONTAJE EN PARED**. Al alinear las marcas "-" ubicadas en la junta articulada y luego en la junta pivotante, el brazo de montaje se articula para la instalación de **MONTAJE EN ALERO**.

PREPARACIÓN

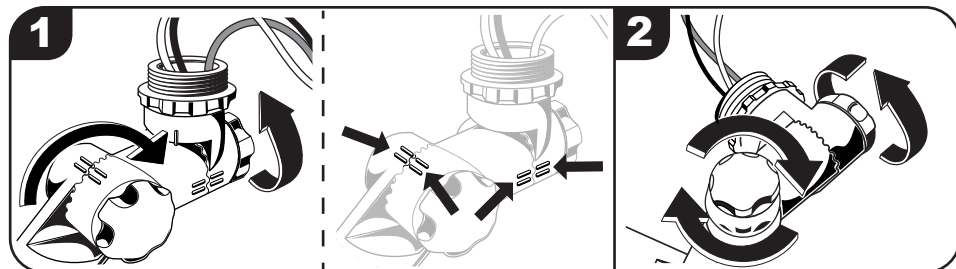
OPCIÓN 1: MONTAJE EN PARED



- Alinee las marcas "-" ubicadas en la junta articulada y en la junta pivotante.
- Apriete ambas perillas en forma de estrella.

NOTA: El sensor PIR y la cabeza de luz se deben montar con el panel de control orientado hacia el piso para impedir que el agua dañe el accesorio para iluminación. Si no se hace esto se anulará la garantía.

OPCIÓN 2: MONTAJE EN ALERO



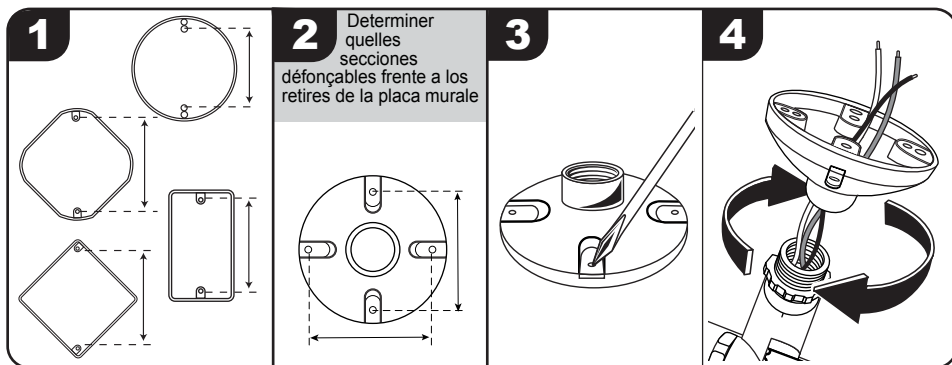
- Alinee las marcas "-" ubicadas en la junta articulada y en la junta de pivotante.
- Apriete ambas perillas en forma de estrella.

NOTA: El sensor PIR y la cabeza de luz se deben montar con el panel de control orientado hacia el piso para impedir que el agua dañe el accesorio para iluminación. Si no se hace esto se anulará la garantía.

INSTALACIÓN

¡ADVERTENCIA! **DESCONECTE LA ALIMENTACIÓN ELÉCTRICA ANTES DE RETIRAR O INSTALAR CUALQUIER ACCESORIO PARA ILUMINACIÓN.**

El accesorio para iluminación se puede montar en una caja eléctrica redonda de montaje en superficie o en una caja eléctrica embutida.



1 Antes de realizar la instalación, mida la distancia entre los agujeros de la caja de conexiones para hacer coincidir esa distancia con los agujeros ubicados en la placa de pared de la luz.

Para realizar el montaje en una superficie: Utilice el accesorio para iluminación solo con una caja eléctrica de montaje en superficie homologada por UL con clasificación para exteriores expuestos a precipitación.

2 La placa de pared está equipada con 2 conjuntos de agujeros de montaje con diferentes distancias de separación.

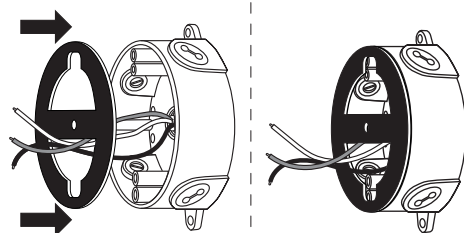
3 Retire los destapaderos en estas ubicaciones martilleándolos cuidadosamente con un destornillador, un punzón o un clavo hasta que se rompan y queden libres.

4 Pase los cables del accesorio de iluminación a través de la placa de pared y enrosque la placa de pared en el brazo de montaje.

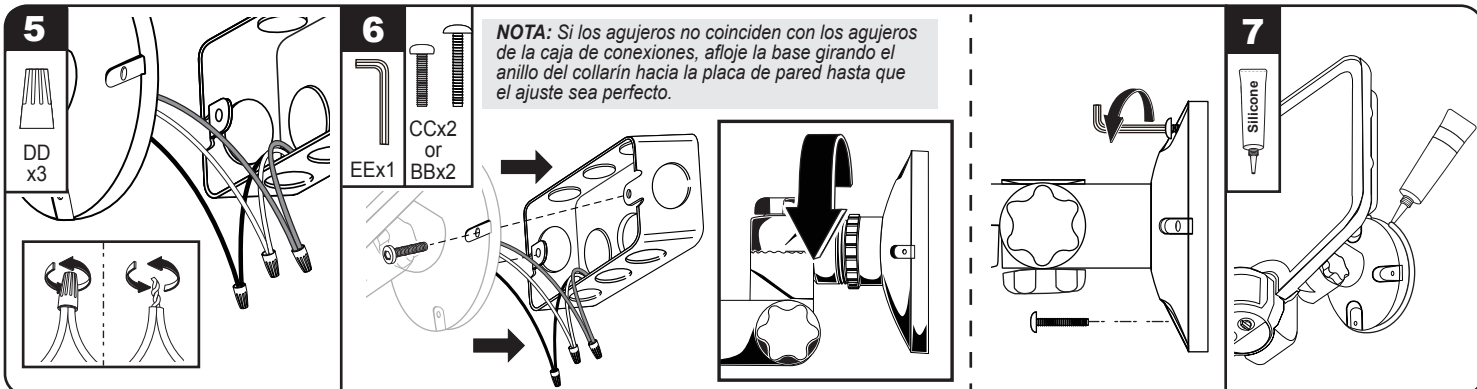
CAJAS ELÉCTRICAS REDONDAS DE MONTAJE EN SUPERFICIE



NOTA: En el caso de una caja eléctrica de montaje en superficie, retire el revestimiento de un lado de la empaquetadura de espuma (AA) y adhiera dicha empaquetadura al borde de la caja redonda de montaje en superficie. Jale los cables a través de ella.



Asegúrese de que la empaquetadura (AA) selle adecuadamente la holgura entre la placa de pared y la caja eléctrica, para impedir que se filtre agua al interior de la caja de conexiones. (Vaya al Paso 1).



5 El accesorio para iluminación se debe conectar a tierra adecuadamente. Utilizando las tuercas suministradas (DD), conecte el cable de conexión a tierra del accesorio para iluminación al cable de conexión a tierra. Estos cables pueden ser verdes o de cobre pelado. Conecte el hilo de suministro negro con los cables negros del accesorio para iluminación y el hilo de suministro blanco con los cables blancos del accesorio para iluminación, utilizando las tuercas para cables (DD). Fije adecuadamente las tuercas para cables con el fin de evitar que los cables se aflojen. Empuje las conexiones y el exceso de cables de vuelta al interior del compartimento.

6 Inserte los dos tornillos para metales (CC) en la base del reflector y a través de los dos puntos predeterminados en la caja de conexiones (del paso 1) y apriételes. Utilizando la llave Allen con forma de "L" (EE), siga apretando los tornillos para metales (CC) hasta que estén perfectamente ajustados.

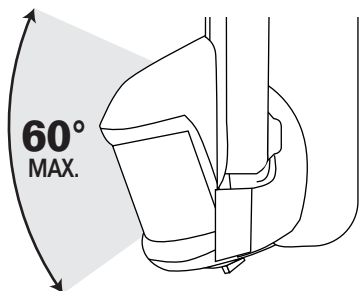
7 Utilisez du silicone de calfeutrage adhesif (non inclus) pour calfeutrer l'espace entre la plaque murale et la surface de montage afin de prévenir toute infiltration d'eau dans la boîte de jonction électrique.

ORIENTACIÓN DE LA LUZ Y DEL SENSOR PIR

EL PANEL DE CONTROL (UBICADO EN EL LADO INFERIOR DEL SENSOR) DEBE ESTAR ORIENTADO HACIA ABAJO, HACIA EL PISO, EN TODO MOMENTO, PARA IMPEDIR QUE ENTRE AGUA Y DAÑE LA UNIDAD

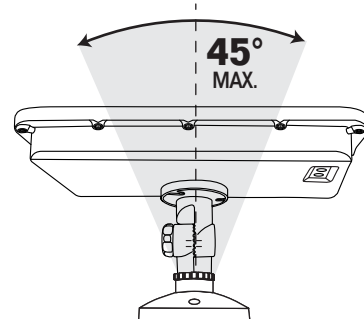
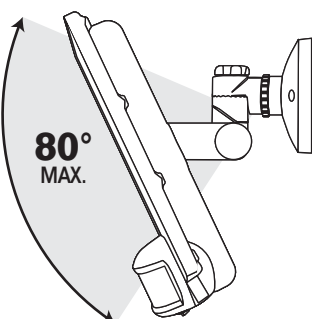
ORIENTACIÓN DEL SENSOR

El sensor se puede inclinar hacia arriba y hacia abajo. Ajuste el sensor al ángulo preferido.



ORIENTACIÓN DE LA LUZ

Para ajustar el ángulo de la luz, afloje los dos botones giratorios ubicados en la parte trasera de la luz y posicione dicha luz de la manera que prefiera (hacia arriba y hacia abajo, o hacia la izquierda y hacia la derecha). Una vez que esté en posición, apriete ambos botones giratorios para fijar la luz en la posición correcta.



OPERACIONES DE INTENSIDAD Y TEMPERATURA DE COLOR

SELECCIÓN DE LA INTENSIDAD

Al presionar este botón se selecciona ya sea Intensidad alta ("High Beam", 7000 lúmenes) o Intensidad baja ("Low Beam", 2000 lúmenes)

NOTA: La configuración preestablecida es Intensidad alta ("High Beam", 7000 lúmenes).



NOTA: La configuración preestablecida es Luz diurna (Daylight, 5000 K)

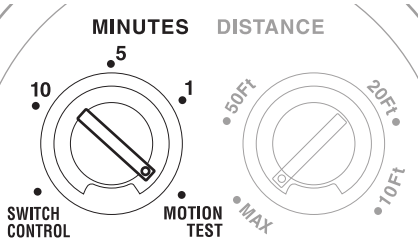
SELECCIÓN DE LUZ BLANCA

Al presionar este botón se selecciona entre luz blanca cálida (3000 K), luz blanca brillante (4000 K) o luz diurna (5000 K)

UTILIZACIÓN DE LOS CONTROLES DE ACTIVACIÓN DE LA LUZ



EL ACCESORIO PARA ILUMINACIÓN NO SE PUEDE UTILIZAR COMO LUZ DE ANOCHECER A AMANECER. EL ACCESORIO PARA ILUMINACIÓN TIENE UN SENSOR DE LUZ INCORPORADO QUE IMPIDE QUE EL SENSOR DE MOVIMIENTO SE ACTIVE DURANTE LAS HORAS DE LUZ DIURNA.



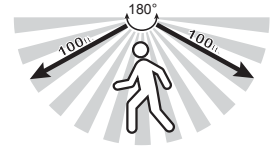
Quando el control de minutos **MINUTES** esté ajustado a **MOTION TEST** (prueba de movimiento), la luz funcionará tanto durante el día como durante la noche.

MODO DE PRUEBA DE MOVIMIENTO (MOTION TEST) PARA AJUSTAR LA DISTANCIA

Rote el botón giratorio de control de minutos **MINUTES** hasta **MOTION TEST** (prueba de movimiento) para calibrar el accesorio para iluminación. La luz se encenderá durante aproximadamente 20 segundos.

Deje al sensor de movimiento aproximadamente 2 minutos para que se caliente antes de realizar la "prueba caminando frente al sensor".

Con el botón giratorio de control ajustado a **MOTION TEST**, (prueba de movimiento), realice una "prueba caminando frente al sensor", para lo cual deberá caminar pasando por delante del sensor de movimiento (figura de la derecha). Cuando se detecte movimiento, la luz se activará. Permanezca inmóvil durante aproximadamente 5 segundos (cuando ya no se detecta movimiento) y la luz se apagará. Camine de nuevo y la luz se encenderá. Una vez que esté fuera del alcance de detección, la luz se apagará y la prueba se habrá completado.



AJUSTE EL BOTÓN GIRATORIO MINUTES A

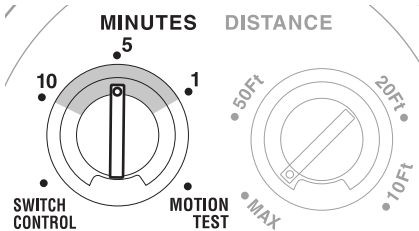
Motion Test
(prueba de movimiento)

AJUSTE EL BOTÓN GIRATORIO DISTANCE A

Cualquier distancia.

AJUSTE EL INTERRUPTOR DE PARED (WALL SWITCH) A

ON (ENCENDIDO)



AJUSTE DEL TIEMPO DE DURACIÓN DE LA LUZ

Rote el botón giratorio de control de minutos **MINUTES** alejándolo de **MOTION TEST** (prueba de movimiento) y ajústelo entre el 1 y el 10. No rote el botón giratorio de control de minutos **MINUTES** de vuelta al área de **TEST** ni a control con interruptor (Switch Control).

AJUSTE EL BOTÓN GIRATORIO MINUTES A

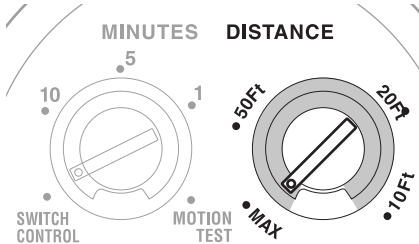
Cualquier posición de 1 a 10

AJUSTE EL BOTÓN GIRATORIO DISTANCE A

Cualquier distancia.

AJUSTE EL INTERRUPTOR DE PARED (WALL SWITCH) A

ON (ENCENDIDO)



Quando mayor sea el ajuste de distancia **DISTANCE**, mayor será la probabilidad de que se produzcan activaciones falsas por el sensor (PIR).

AJUSTE DE LA DISTANCIA DE DETECCIÓN DE MOVIMIENTO

Rote el botón giratorio de control de distancia **DISTANCE** a cualquier posición desde "10Ft" (10 pies) hasta **MAX**. (100 pies) Cuando el botón giratorio de control de distancia **DISTANCE** está girado hasta "10Ft", la zona de detección es muy ajustada y compacta, lo cual hace que la sensibilidad de detección sea muy alta. Lo reverso es cierto, cuando el botón giratorio de control de distancia **DISTANCE** está girado hasta "MAX", aumenta exponencialmente la zona de detección. Realice una "prueba caminando frente al sensor", para lo cual deberá caminar a través del campo de detección de movimiento a la distancia aproximada seleccionada en el botón giratorio de control de distancia **DISTANCE**.

AJUSTE EL BOTÓN GIRATORIO MINUTES A

Cualquier posición de 1 a 10

AJUSTE EL BOTÓN GIRATORIO DISTANCE A

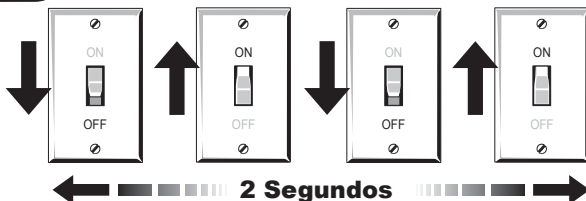
10Ft (10 pies) a MAX (100 pies)

AJUSTE EL INTERRUPTOR DE PARED (WALL SWITCH) A

ON (ENCENDIDO)

DOS MANERAS DE ANULAR EL SENSOR DE MOVIMIENTO:

1 AJUSTE DEL SOBRE CONTROL MANUAL DE LA LUZ



2 Segundos

Si la luz de seguridad se ha apagado utilizando el interruptor, enciéndala durante 60 segundos para dejar tiempo al sensor (PIR) para que se caliente antes de iniciar la secuencia de sobrecontrol manual.

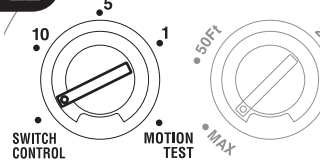
Para cambiar a modo manual, APAGUE-ENCIENDA-APAGUE-ENCIENDA (OFF-ON-OFF-ON) la alimentación eléctrica en un intervalo de 2 segundos. Hay 2 maneras de regresar al control por el sensor:

1) Para salir inmediatamente del modo manual, repita la secuencia de modo manual APAGADO-ENCENDIDO-APAGADO-ENCENDIDO (OFF-ON-OFF-ON) de la alimentación eléctrica en un intervalo de 2 segundos. Esto cancelará el modo manual.

2) La luz de seguridad permanecerá encendida hasta que el sensor incorporado detecte el siguiente ciclo de anochecer a amanecer. Una vez que se detecte luz, permitirá que el sensor de movimiento vuelva a controlar el accesorio para iluminación al día siguiente.

La commande **MANUAL OVERRIDE (COMMANDE MANUELLE DE NEUTRALISATION)** permet d'allumer la lumière à tout moment en neutralisant toutes les commandes du détecteur. Il retournera au mode d'activation par le mouvement la nuit suivante.

2 MINUTES DISTANCE MODO DE CONTROL CON INTERRUPTOR



El control con interruptor (Switch Control) permite que la luz se encienda en cualquier momento, anulando todos los controles por el sensor, por lo que la luz se enciende independientemente de la hora del día.

AJUSTE EL BOTÓN GIRATORIO MINUTES A

Switch Control
(control con interruptor)

AJUSTE EL BOTÓN GIRATORIO DISTANCE A

10Ft (10 pies) a MAX (100 pies)

AJUSTE EL INTERRUPTOR DE PARED (WALL SWITCH) A

ON (ENCENDIDO)

NOTA: Si el accesorio para iluminación está en el modo de control con interruptor (Switch Control), las funciones del sensor de luz incorporado no funcionarán. Si desea anular temporalmente las funciones del sensor de anoecer a amanecer y de movimiento, deberá seguir las instrucciones de sobrecontrol manual (consulte la información precedente).

GUÍA DE RESOLUCIÓN DE PROBLEMAS

Antes de realizar cualquier trabajo en la lámpara, corte el suministro de electricidad en el panel del interruptor de circuito para evitar descargas eléctricas.

LISTA DE PIEZAS DE REPUESTO:
kit de aditamentos: ZH-FP1247F48

PROBLEMA	CAUSA POSIBLE	MEDIDA CORRECTIVA
La luz de seguridad no se enciende	<ol style="list-style-type: none"> El interruptor de la luz está en la posición de apagado. El fusible está fundido/el cortacircuito ha saltado. El accesorio para iluminación no está cableado adecuadamente a la caja de conexiones. Es de día. El sensor de movimiento está orientado en sentido incorrecto. La temperatura del aire es aproximadamente la misma que la temperatura corporal de una persona y el sensor (PIR) no puede "ver" a la persona. 	<ol style="list-style-type: none"> Ponga el interruptor de la luz en la posición de encendido. Reemplace el fusible/restablezca el cortacircuito. Descontinúe el uso, llame a un electricista. Compruebe de nuevo la luz de seguridad cuando sea de noche. Reajuste el sensor de movimiento. Reduzca el ajuste del control de distancia DISTANCE.
La luz cicla continuamente entre ENCENDIDO y APAGADO (efecto estroboscópico).	<ol style="list-style-type: none"> El sensor de luz es activado por luz reflejada por la propia luz de seguridad. Se está reflejando calor de otras fuentes y es posible que dicho calor esté activando y desactivando el sensor. 	<ol style="list-style-type: none"> Cambie la posición de la cabeza de luz, oriente la luz alejándola de las superficies reflectantes. Reduzca el ajuste del control de distancia DISTANCE.
La luz se enciende durante horas diurnas.	<ol style="list-style-type: none"> Puede que la luz esté instalada en un área de sombras/oscura. El botón giratorio de control de minutos MINUTES está ajustado a MOTION TEST. 	<ol style="list-style-type: none"> La luz está funcionando tal y como se diseñó. Utilice el sobrecontrol manual si es necesario. O ajuste la unidad a control con interruptor (Switch Control) Ajuste el botón giratorio de control de minutos MINUTES en cualquier posición entre 1 y 10.
La luz se enciende sin motivo aparente.	<ol style="list-style-type: none"> Es posible que el sensor sea activado por un animal o por un automóvil que pase. Es posible que el aire caliente (respiradero de secadora, escape de auto, etc.) active el sensor. 	<ol style="list-style-type: none"> Reduzca el ajuste del control de distancia DISTANCE según sea necesario. Aumente el ajuste del control de distancia DISTANCE según sea necesario.
La luz permanece encendida continuamente.	<ol style="list-style-type: none"> Es posible que el sensor de movimiento esté detectando un flujo continuo de aire caliente procedente de un respiradero de aire, un respiradero de secadora o calor que se refleja de una superficie. Inferencia generada por transformadores, accesorios para iluminación fluorescentes o motores eléctricos que estén conectados al mismo circuito. 	<ol style="list-style-type: none"> Reposicione el sensor de movimiento. Instale la luz en un circuito sin transformadores, accesorios para iluminación fluorescentes ni motores eléctricos conectados al circuito.
La luz parpadea encendida durante 20 segundos a la vez de día o de noche.	<ol style="list-style-type: none"> El botón giratorio de control de minutos MINUTES está ajustado a MOTION TEST. 	<ol style="list-style-type: none"> Ajuste el botón giratorio de control de minutos MINUTES en cualquier posición entre 1 y 10.
La cabeza de luz se desliza hacia abajo	<ol style="list-style-type: none"> Las perillas en forma de estrella están flojas 	<ol style="list-style-type: none"> Reposicione la cabeza de luz y apriete las perillas en forma de estrella.
El flujo luminoso es demasiado intenso o tenue	<ol style="list-style-type: none"> El botón de luminosidad se presionó demasiadas veces. 	<ol style="list-style-type: none"> Presione el botón de control del haz de intensidad alta/baja.
El flujo luminoso es demasiado cálido, neutro o frío.	<ol style="list-style-type: none"> presione "luz blanca" para seleccionar la luz blanca a la temperatura de luz deseada. 	<ol style="list-style-type: none"> Presione el botón de selección de luz blanca para cambiar a una selección de luz blanca más cálida, más neutra o más fría.

Good Earth Lighting® - GARANTÍA LIMITADA DE 10 AÑOS: El fabricante garantiza que este accesorio para iluminación estará libre de defectos de materiales y de fabricación por un período de (10) años a partir de la fecha de compra original por el consumidor. El accesorio para iluminación no está garantizado para utilizarse en una aplicación comercial o minorista. La garantía está limitada al uso en un entorno residencial. Repararemos o reemplazaremos (a nuestra opción) la unidad en el color y estilo originales, si se encuentran disponibles, o en un color y estilo similares si el artículo original ha sido descontinuado, sin cargo alguno. Las unidades defectuosas deben ser empaquetadas apropiadamente y enviadas al fabricante con una carta de explicación y su recibo de compra original que muestre la fecha de compra. Llame al 1-800-291-8838 para obtener un número de autorización de devolución y una dirección a la que enviar su producto defectuoso. Nota: NO se aceptarán envíos contra reembolso (C.O.D.). La responsabilidad del fabricante está en cualquier caso limitada al reemplazo del producto que consiste en el accesorio para iluminación defectuoso. El fabricante no será responsable de ninguna otra pérdida, daño, costo de mano de obra o lesión que el producto cause. Esta limitación de la responsabilidad del fabricante incluye toda pérdida, daño, costo de mano de obra o lesión que sea (I) a una persona o a bienes materiales u otra cosa; (II) sea de carácter incidental o emergente; (III) se base en teorías de garantía, contrato, negligencia, responsabilidad estricta, agravio o de otro tipo; o (IV) se relacione directa o indirectamente con la venta, el uso o la reparación del producto. Esta garantía le confiere a usted derechos específicos y es probable que usted tenga también otros derechos, que varían de un estado a otro.

DECLARACIÓN DE LA FCC: Este dispositivo cumple con la Parte 15 de las reglas FCC. El funcionamiento está sujeto a las siguientes dos condiciones: (1) Este dispositivo no debe causar interferencia perjudicial y (2) debe aceptar cualquier interferencia recibida, incluida la interferencia que pudiese causar un funcionamiento no deseado. Advertencia: Los cambios o las modificaciones a esta unidad que no estén expresamente aprobados por la parte responsable del cumplimiento podrían anular la autorización del usuario para utilizar el equipo. Se le advierte al usuario que todo cambio o modificación a esta unidad que no esté expresamente aprobada por la parte responsable del cumplimiento podría anular la autorización del usuario para utilizar el equipo. Nota: Este equipo ha sido probado, y se ha verificado que cumple los límites para un dispositivo digital clase B, conforme a la sección 15 de las reglas de la FCC. Estos límites están diseñados para proporcionar protección razonable contra interferencias perjudiciales en una instalación residencial. Este equipo genera, utiliza y puede irradiar energía de radiofrecuencia y, si no se instala y se usa de acuerdo con las instrucciones, puede causar interferencia perjudicial para las comunicaciones de radio. Sin embargo, no se garantiza que no se producirán interferencias en una instalación en especial. Si este equipo causa interferencia perjudicial a la recepción de radio o televisión, lo que se puede determinar al encender y apagar el equipo, se recomienda al usuario que intente corregir la interferencia con una o más de las siguientes medidas: 1) Reoriente o reubique la antena de recepción. 2) Aumente la separación entre el equipo y el receptor. 3) Conecte el equipo en un tomacorriente de un circuito distinto del que está usando el receptor. 4) Solicite ayuda al distribuidor o a un técnico con experiencia en radio/TV.



¿Necesita ayuda?

Por favor, visite nuestro sitio web en: www.goodearthlighting.com/support o llame al Centro de Atención al Cliente al **1-800-291-8838**, de 8:30 a.m. a 5 p.m., Hora Central (CST), de lunes a viernes.

Good Earth Lighting® 1400 East Business Center Drive, Ste. 108 Mount Prospect, IL 60056

Good Earth Lighting® es una marca registrada de Good Earth Lighting, Inc. © 2020 Good Earth Lighting, Inc.

Impreso en Vietnam **12**