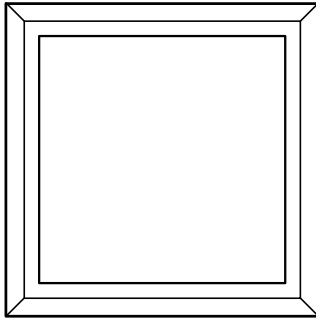
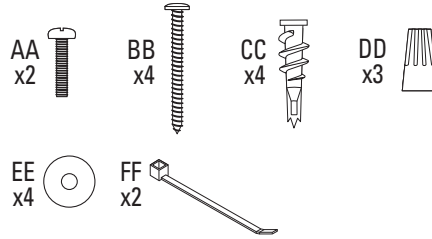


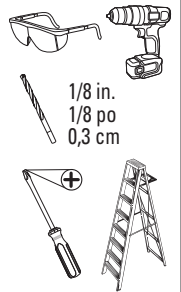
Model / Model / Modelo #: LF1089-PEW-28LF4-G



Hardware kit* / Kit de petit matériel de fixation* / Kit de herrajes*



Required
Nécessaire
Se necesita



*Actual hardware may differ from illustration
 *Les éléments de fixation réels peuvent être différents de ceux de l'illustration.
 *Los herrajes reales pueden diferir de los que se muestran en la ilustración

INSTALLATION OVERVIEW
 PRÉSENTATION GÉNÉRALE DE L'INSTALLATION
 GENERALIDADES SOBRE LA INSTALACIÓN

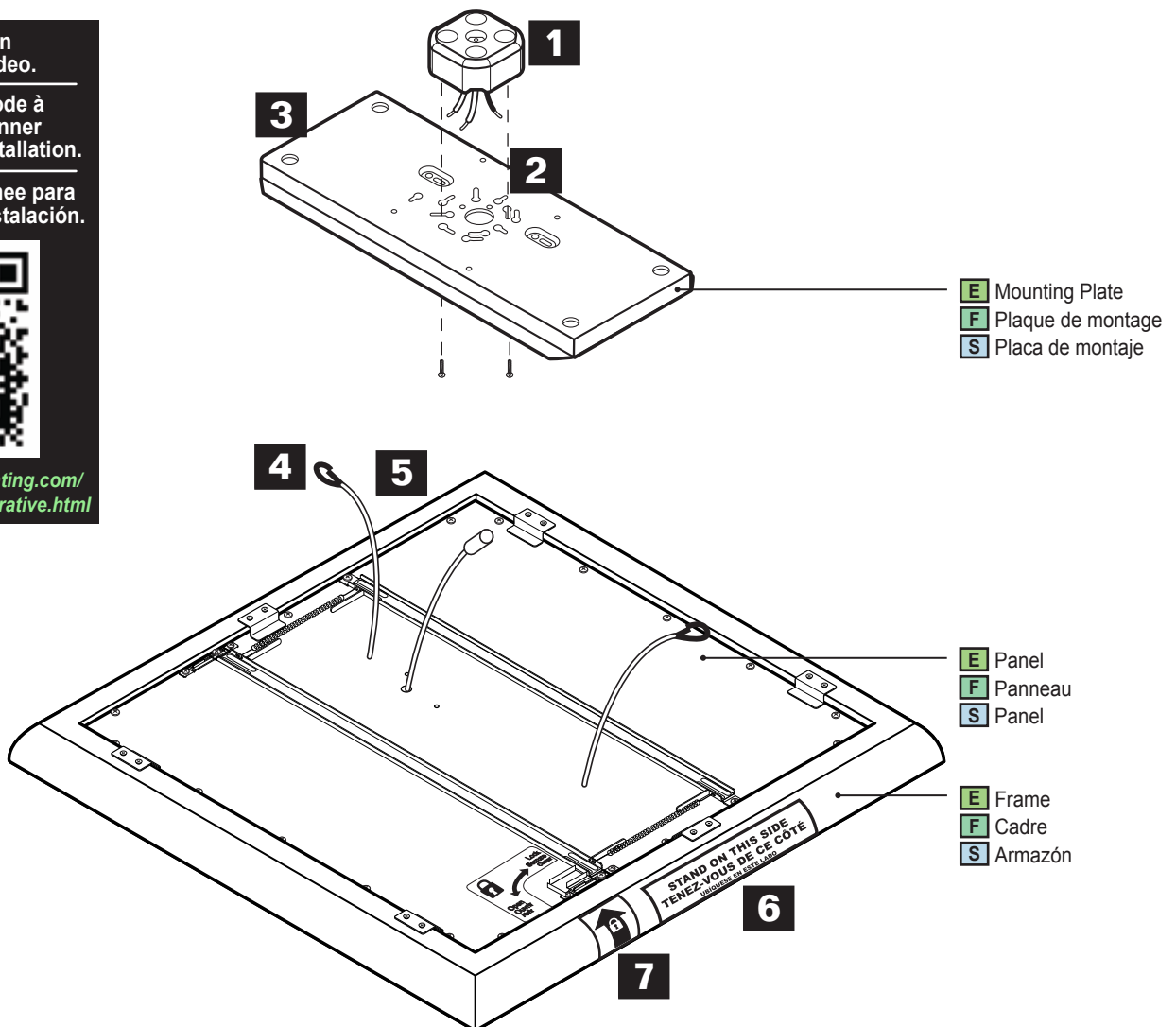
See link or scan
for installation video.

Voir le lien ou le code à
balayer pour visionner
la vidéo relative à l'installation.

Vea el enlace o escanee para
acceder al video de instalación.



<http://www.goodearthlighting.com/28-tacoma-led-linear-decorative.html>



E Mounting Plate
F Plaque de montage
S Placa de montaje

E Panel
F Panneau
S Panel

E Frame
F Cadre
S Armazón



Need Help?

Please visit our website at:
www.goodearthlighting.com/support
 or call the customer care center
 1-800-291-8838
 8:30 a.m.-5 p.m., CST, Monday-Friday.

Besoin d'aide?

Visitez notre site Web au
www.goodearthlighting.com/support ou
 communiquez avec notre service à la clientèle
 au 1 800 291-8838, entre 8 h 30 et 17 h (HNC),
 du lundi au vendredi.

¿Necesita ayuda?

Visite nuestro sitio web en:
www.goodearthlighting.com/support o llame
 al Centro de Servicio al Cliente, al
 1-800-291-8838, de 8:30 a.m. a 5 p.m., hora
 central estándar, de lunes a viernes.

Shut off power at the circuit breaker or fuse panel before removing the old fixture or installing the new one.

LEDs can be damaged by electrostatic discharge shock. Before installation, discharge yourself by touching a grounded bare metal surface to remove this hazard.

For **INDOOR** use only. For electrical requirements, see fixture. Minimum 90° supply conductors. The luminaire shall be used for class 1 wiring.

THIS FIXTURE IS DIMMABLE BY TRIAC DIMMERS AND IS NOT COMPATIBLE WITH 0-10V DIMMING SYSTEMS. Dimmers tested to be compatible with this fixture are the Lutron: Diva® C•L™: DVVCL-153PH, Lumea® C•L™: LGCL-153PLH, and Toggler® C•L™: TGCL-153PH. (This list of dimmers does not imply any guarantee or warranty of compatibility with a particular application. Dimmers not listed do not imply non-compatibility.)

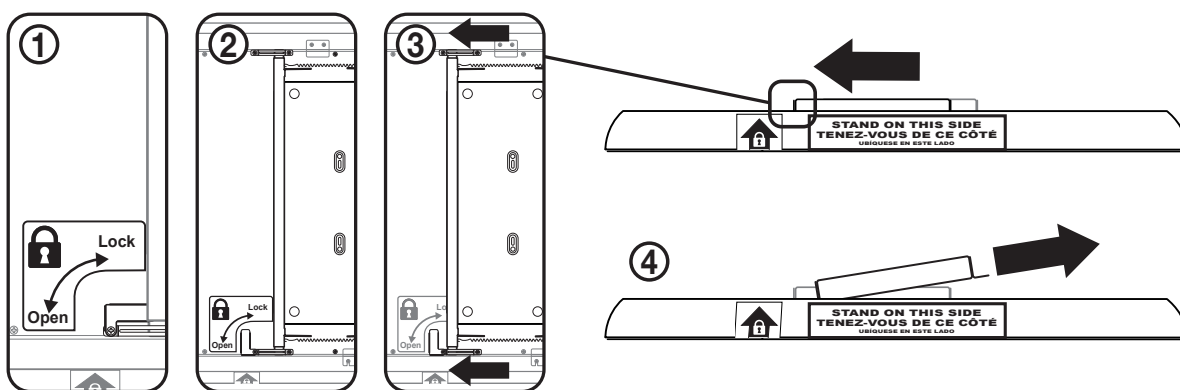
If unsure if the electrical box is properly grounded, or the box is plastic and has no ground wire, or are unfamiliar with the methods of properly grounding fixture, consult a qualified electrician.

This device complies with Part 15 of the FCC rules. Operation is subject to the following two conditions: (1) This device may not cause harmful interference, and (2) this device must accept any interference received, including interference that may cause undesired operation. Warning: Changes or modifications to this unit not expressly approved by the party responsible for compliance could void the user's authority to operate the equipment.

The user is cautioned that any changes or modifications not expressly approved by the party responsible for compliance could void the user's authority to operate the equipment. Note: This equipment has been tested and found to comply with the limits for a Class B digital device, pursuant to Part 15 of the FCC rules. These limits are designed to provide reasonable protection against harmful interference in a residential installation. This equipment generates, uses and can radiate radio frequency energy and, if not installed and used in accordance with the instructions, may cause harmful interference to radio communications. However, there is no guarantee that the interference will not occur in a particular installation. If this equipment does cause harmful interference to radio or television reception, which can be determined by turning the equipment off and on, the user is encouraged to try to correct the interference by one or more of the following measures:

1) Reorient or relocate the receiving antenna. 2) Increase the separation between the equipment and receiver. 3) Connect the equipment into an outlet on a circuit different from that of the receiver. 4) Consult the dealer or an experienced radio/TV technician for help.

1

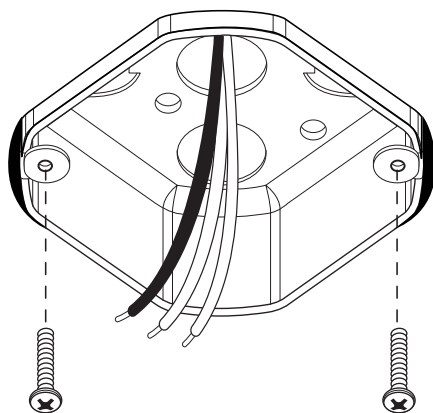


1 To remove mounting plate, place the fixture face down. The instructions are written for the side marked with "STAND ON THIS SIDE" facing the installer. The shift-frame needs to be unlocked to remove mounting plate for installation. Locate the lock sticker **1** and rotate the locking mechanism 90° counter-clockwise **2**. This allows the mounting bracket to slide to the left about an inch. In a continuous motion, push the entire mounting plate to the left and once the lip of the mounting plate is free of the stationary end of the shift frame **3**, angle up and remove **4**.

2A



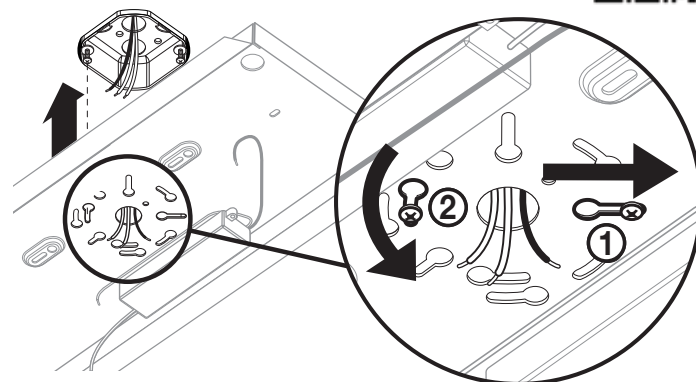
AA x2



2B

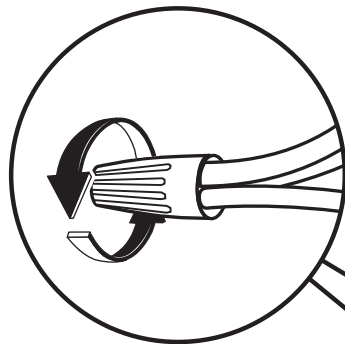
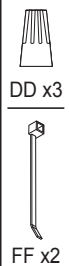
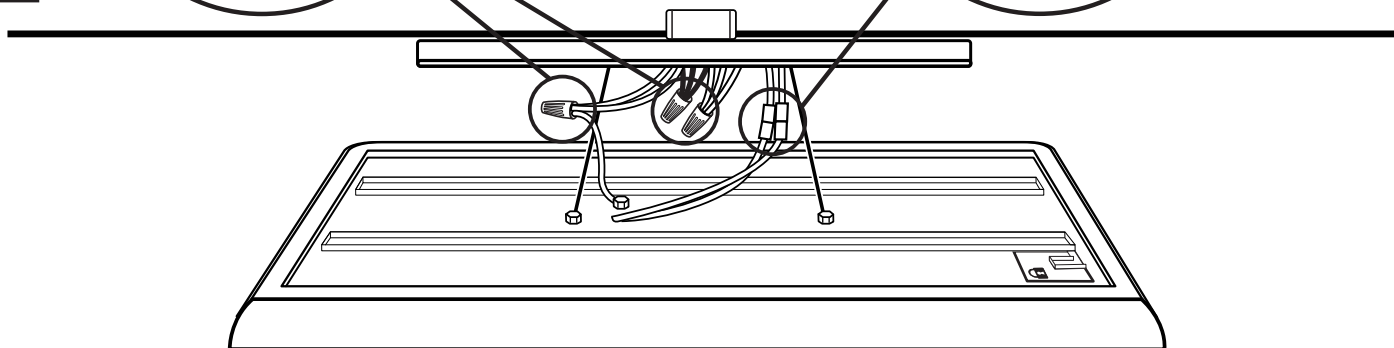
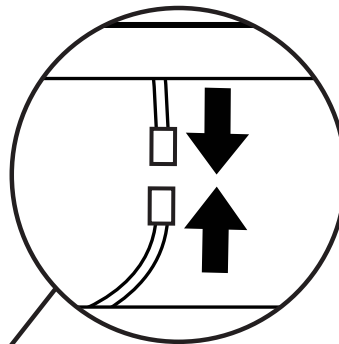
See link or scan for installation video.

www.goodearthlighting.com/28-tacoma-led-linear-decorative.html



2A Attach fixture mounting screws (**AA**) into electrical box and leave extended about a 3/8 in.

2B To attach the mounting plate to the junction box, first hold the mounting plate up to the junction box in the desired orientation you want the fixture to be mounted. Identify the set of mounting keyholes that align closest with the screws in the junction box. Pull black, white and ground supply wires from electrical box through the hole in center of mounting plate. Ground wires can be either green or bare copper. Insert first screwhead into straight keyhole slot **1**, pivot mounting plate and insert second screw into curved keyhole slot **2**. Once screws are engaged, maneuver mounting plate into desired position. Tighten screws.

5A**5B**

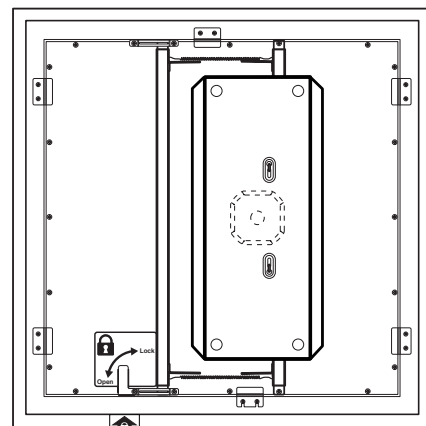
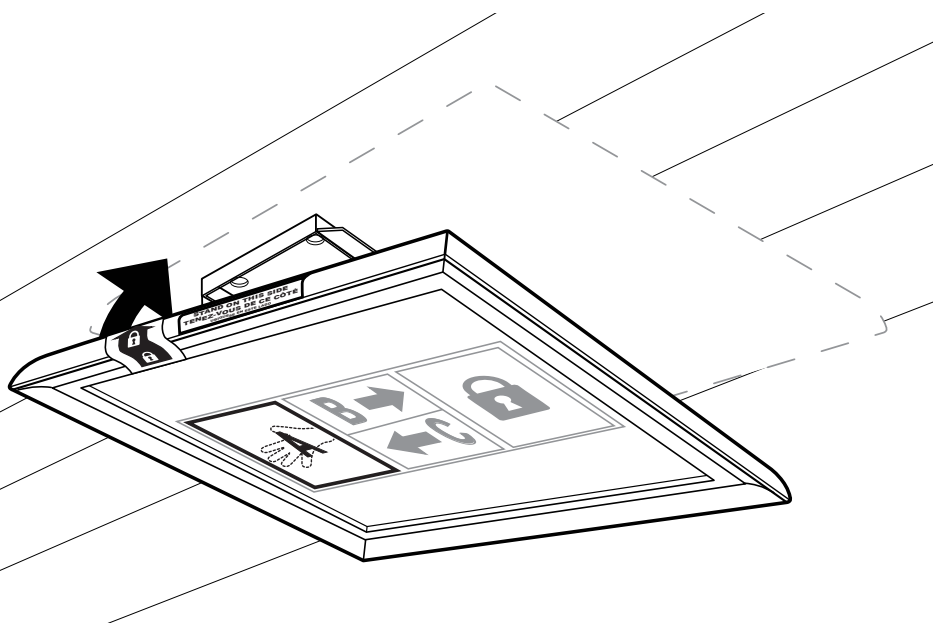
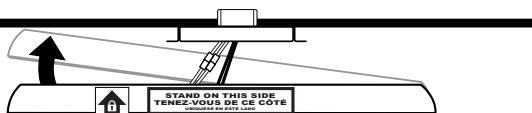
5A Fixture must be properly grounded. Connect mounting plate ground wire and fixture ground wire to green or bare copper ground wire in electrical box using wire nut (**DD**).

Connect white wires, one from each driver, to white supply lead in electrical box using wire nut (**DD**). Connect black wires, one from each driver, to black supply lead in electrical box using wire nut (**DD**). Use cable ties (**FF**) to secure loose fixture wires to one another in center of mounting plate to keep them from getting in the way during fixture mounting.

5B Connect both connectors from mounting plate drivers to the connectors from the fixture. **NOTE:** Connectors are interchangeable, either connector from the mounting plate drivers can be attached to either connector from the fixture.

6A

See link or scan for installation video.
www.goodearthlighting.com/28-tacoma-led-linear-decorative.html



6A Place hand over handprint in **Box A** and lift this side up to the ceiling, being careful not to scratch ceiling.

6B

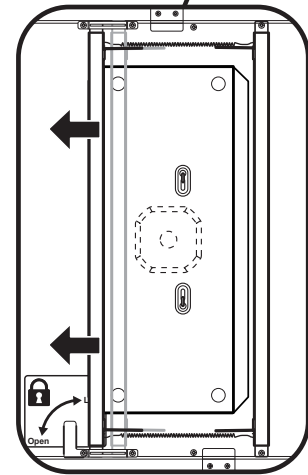
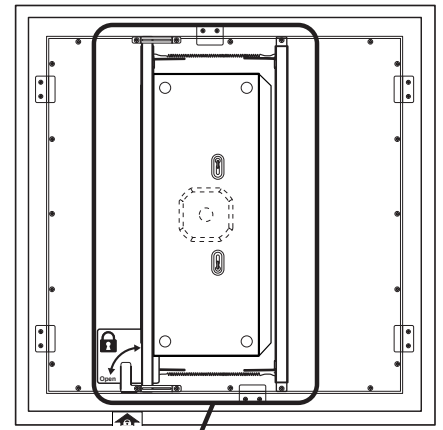
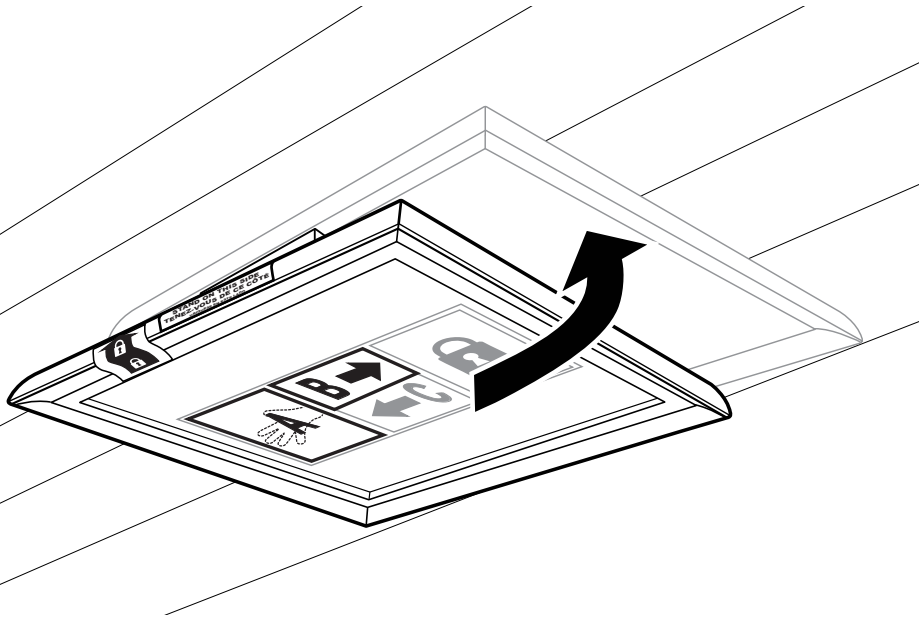
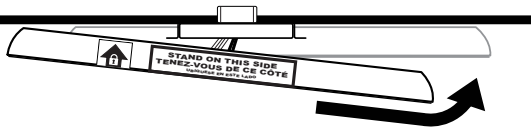


Fig. 1

6B Keeping one hand on **Box A**, slide fixture over (**Box B**) while raising the other end of the fixture up to the ceiling. You should feel the rail on the fixture hook the edge of the mounting plate and slide to the open position (**Fig. 1**).

6C

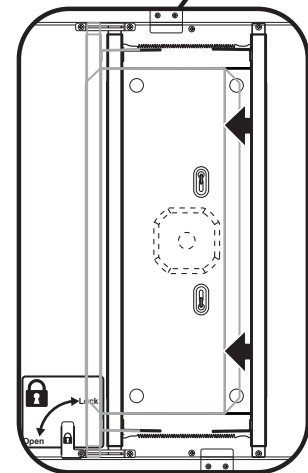
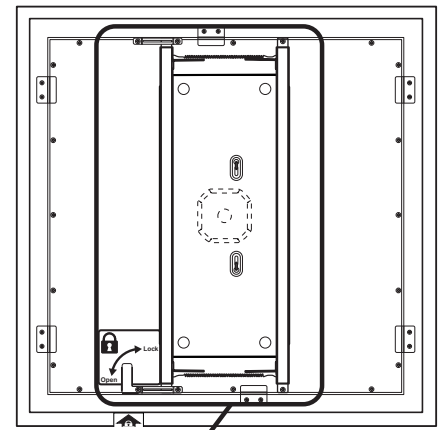
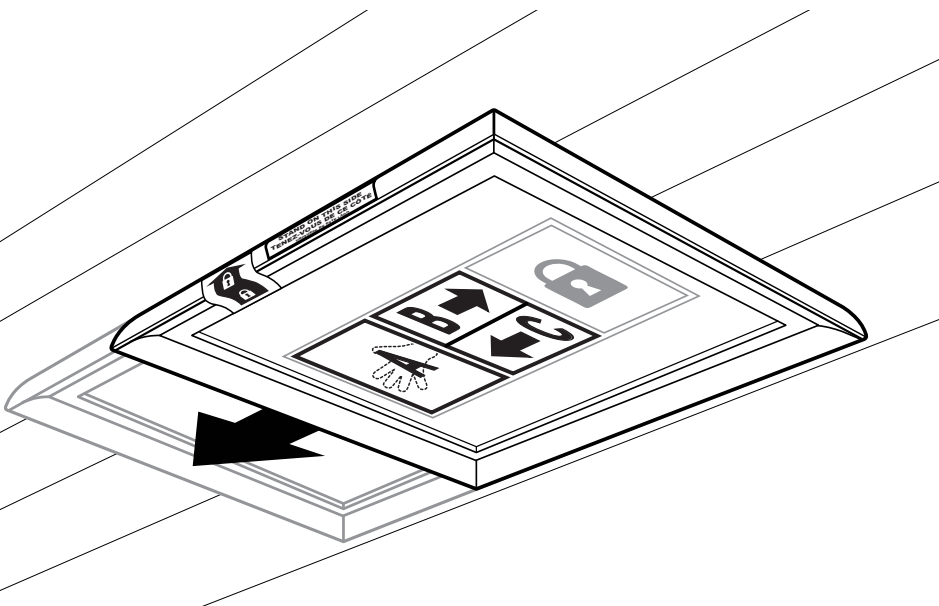
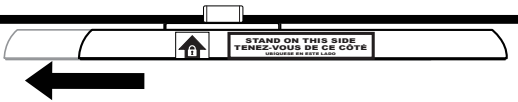


Fig. 2

6C With the fixture fully engaged with the mounting plate, slide the fixture back to the opposite side (**Box C**), allowing the fixed rail to hook the other end of the mounting plate (**Fig. 2**).

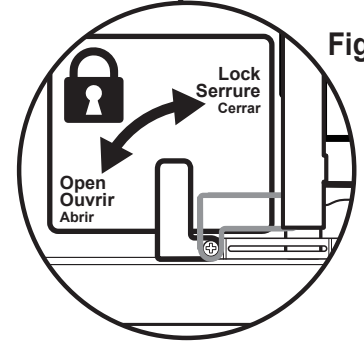
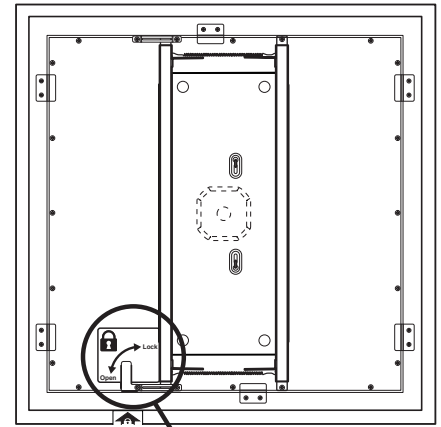
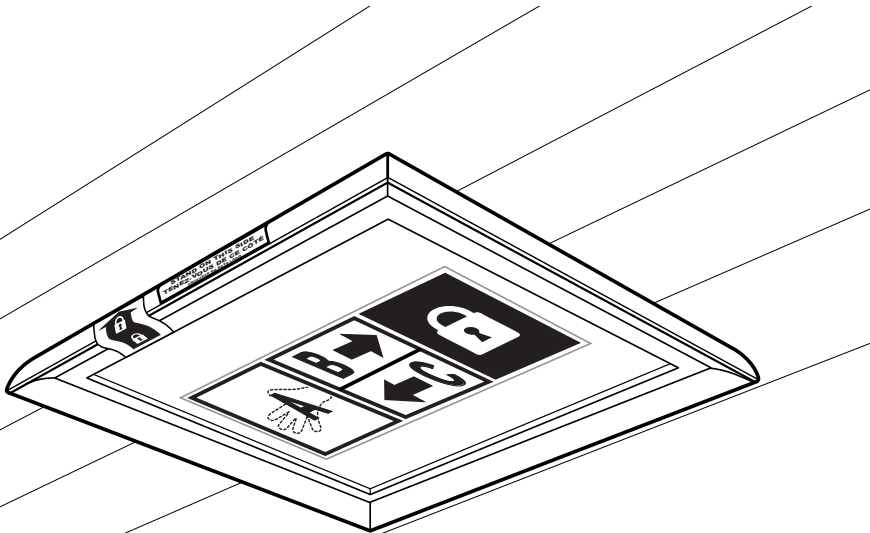


Fig. 3

7 Slowly release fixture making sure it stays in place. To lock the fixture in place, extend hand over the frame above the lock arrow and rotate the rail locking lever into place (**Fig. 3**). If lever does not rotate fully into place, the panel is not positioned properly. Maneuver fixture until it seats properly or repeat mounting steps if needed until locking lever rotates into place.

Restore power once fixture is properly installed.

Good Earth Lighting® - 10 YEAR LIMITED WARRANTY

The manufacturer warrants this lighting fixture to be free from defects in materials and workmanship for a period of (10) years from the date of original purchase by the consumer. The fixture is not warranted for use in a commercial or retail application. The warranty is limited to use in a residential environment. We will repair or replace (at our option) the unit in the original color and style if available, or in a similar color and style if the original item has been discontinued, without charge. Defective units must be properly packed and returned to the manufacturer with a letter of explanation and your original purchase receipt showing date of purchase. Call **1-800-291-8838** to obtain a return authorization number and an address where to ship your defective product. Note: C.O.D. shipments will NOT be accepted. The liability of the manufacturer is in any case limited to replacement of the defective light fixture product. The manufacturer will not be liable for any other loss, damage, labor costs or injury which is caused by the product. This limitation upon the liability of the manufacturer includes any loss, damage, labor costs or injury which is (I) to person or property or otherwise; (II) incidental or consequential in nature; (III) based upon theories of warranty, contract, negligence, strict liability, tort, or otherwise; or (IV) directly, or indirectly related to the sale, use, or repair of the product. This warranty gives you specific rights, and you may also have other rights which vary from state to state.

Troubleshooting Guide

Before doing any work on the fixture, shut off power supply at the circuit breaker panel to avoid electrical shock.

Problem	Cause	Solution
Fixture doesn't light.....	Power is off..... Bad connection. Bad switch.	Check if power supply is on. Check cords and/or wiring. Test or replace switch.
Fuse blows or circuit breaker trips when light is turned on.....	Discontinue use.....	Call customer service.

Replacement Parts List

Hardware Kit:
ZH-LF1089F28-PEW

SAVE THESE INSTRUCTIONS.