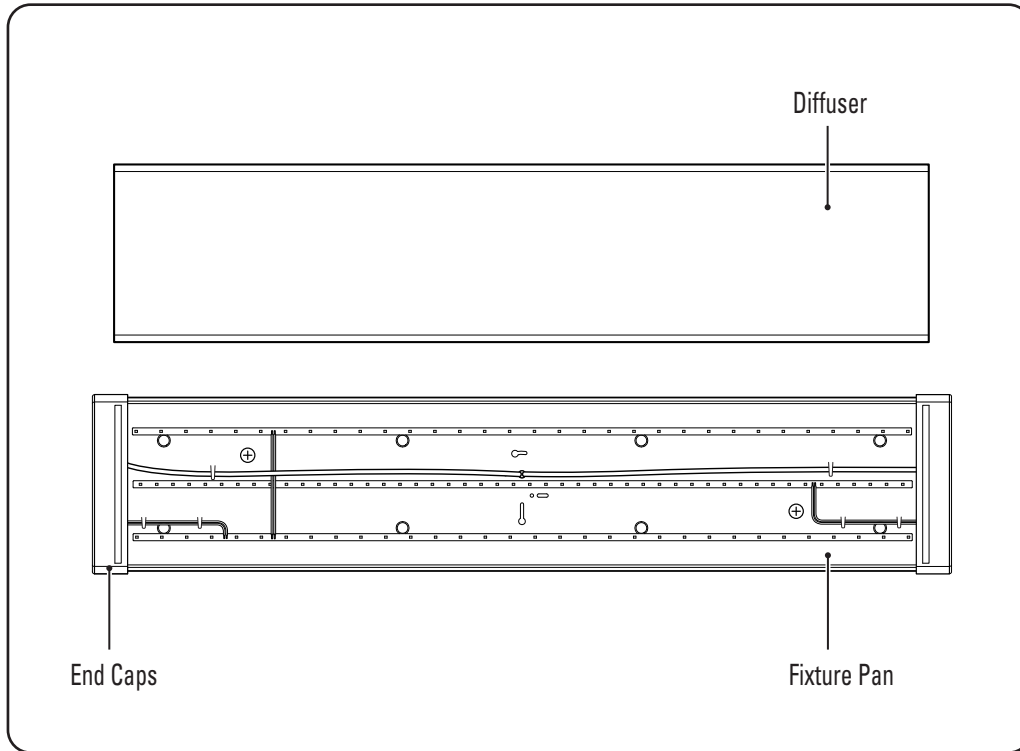
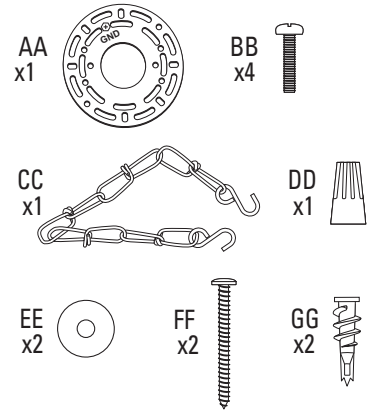


48 in. Vista LED Linear Ceiling Fixture

Model #: LF1130-BR4-48LF4-T, LF1130-NK7-48LF4-T

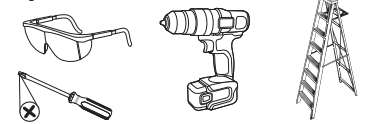


Hardware kit*



*Actual hardware may differ from illustration

Required



Need Help?

Questions? Call our Customer Service Center 1-800-291-8838.



Warnings and Cautions

Shut off power at the circuit breaker or fuse panel before removing the old fixture or installing the new one.

LEDs can be damaged by electrostatic discharge shock. Before installation, discharge yourself by touching a grounded bare metal surface to remove this hazard.

For **INDOOR** use only. For electrical requirements, see fixture. Minimum 90° C supply conductors.

THIS FIXTURE IS DIMMABLE BY SPECIFIC FORWARD PHASE ELECTRONIC (TRAIC) DIMMERS AND IS NOT COMPATIBLE WITH 0-10V DIMMING SYSTEMS.

Dimmers tested to be compatible with this fixture are the Lutron: Diva® C•L™: DVVCL-153P or DVCL-153P, Lumea® C•L™: LGCL-153P, and Toggler® C•L™: TGCL-153P. (This list of dimmers does not imply any guarantee or warranty of compatibility with a particular application. Dimmers not listed do not imply non-compatibility.)

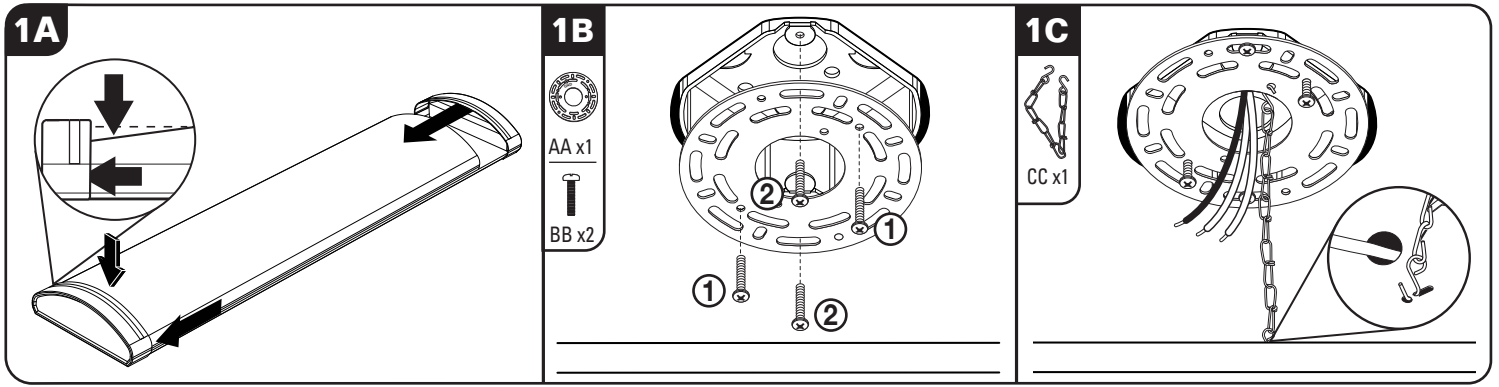
If unsure if the electrical box is properly grounded, or the box is plastic and has no ground wire, or are unfamiliar with the methods of properly grounding fixture, consult a qualified electrician.

Do **NOT** use solvents or cleaners containing abrasive agents. Do not spray liquid cleaner directly onto the LEDs, fixture, diffuser, or wiring.

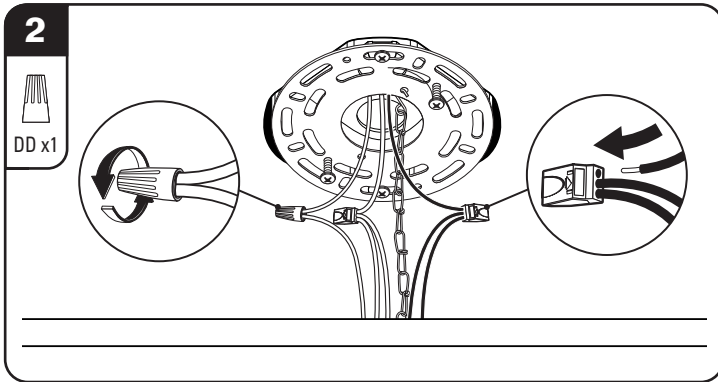
This device complies with Part 15 of the FCC rules. Operation is subject to the following two conditions: (1) This device may not cause harmful interference, and (2) this device must accept any interference received, including interference that may cause undesired operation. Warning: Changes or modifications to this unit not expressly approved by the party responsible for compliance could void the user's authority to operate the equipment. NOTE: This equipment has been tested and found to comply with the limits for a Class B digital device, pursuant to Part 15 of the FCC Rules. These limits are designed to provide reasonable protection against harmful interference in a residential installation. This equipment generates, uses and can radiate radio frequency energy and, if not installed and used in accordance with the instructions, may cause harmful interference to radio communications. However, there is no guarantee that interference will not occur in a particular installation. If this equipment does cause harmful interference to radio or television reception, which can be determined by turning the equipment off and on, the user is encouraged to try to correct the interference by one or more of the following measures: Reorient or relocate the receiving antenna. Increase the separation between the equipment and receiver. Connect the equipment into an outlet on a circuit different from that to which the receiver is connected. Consult the dealer or an experienced radio/TV technician for help.

Patriot Lighting® Warranty

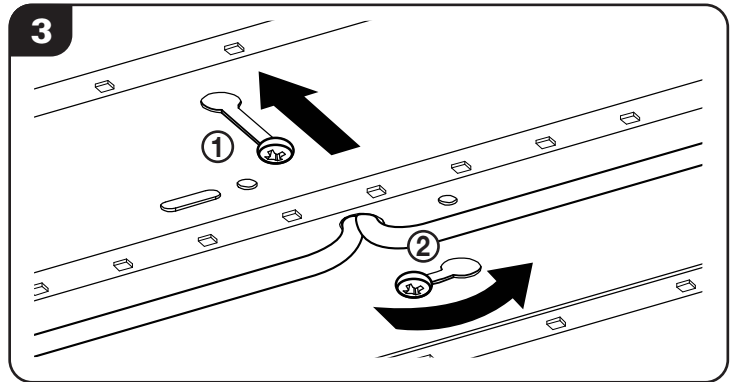
FIVE-YEAR LIMITED WARRANTY: If, during normal use, this PATRIOT LIGHTING® lighting fixture breaks or fails due to a defect in material and workmanship within five (5) years from the date of original purchase, simply bring this lighting fixture with the original sales receipt back to your nearest MENARDS® retail store. At its discretion, PATRIOT LIGHTING® agrees to have the product or any defective part(s) repaired or replaced with the same or similar PATRIOT LIGHTING® product or part free of charge, within the stated warranty period, when returned by the original purchaser with the original sales receipt. This warranty; (1) excludes expendable parts including but not limited to light bulbs; (2) does not cover damage that has resulted from abuse or misuse; and (3) does not cover any losses, labor, injuries to persons/property or costs. This warranty does give you specific legal rights and you may have other rights, which vary from state to state.



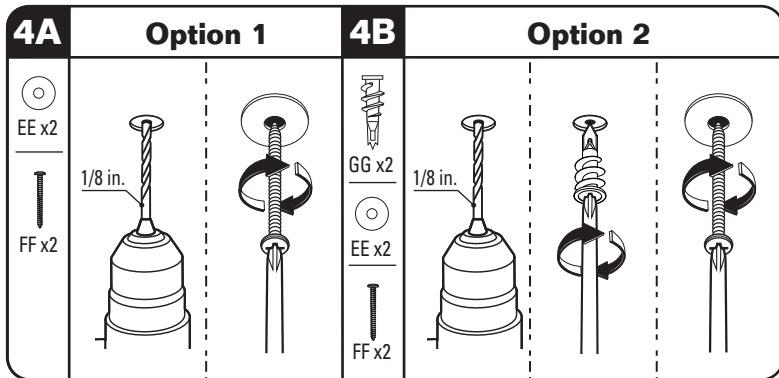
- 1A** Carefully push in on diffuser near one end and slide diffuser into endcap until other end of diffuser clears other endcap. Remove diffuser.
- 1B** Identify threaded holes in universal mounting bracket (AA) by aligning with mounting keyholes in fixture pan. Attach fixture mounting screws (BB) ① into threaded holes and leave extended about 3/8 in. Attach mounting bracket to electrical box, using existing electrical box screws ②.
- 1C** Pull fixture wires through hole near center of fixture pan to backside of fixture. Using support chain (CC), connect one end to back of fixture pan near center in specially designed slots. Hook other end of support chain to electrical box to temporarily hold fixture for wiring.



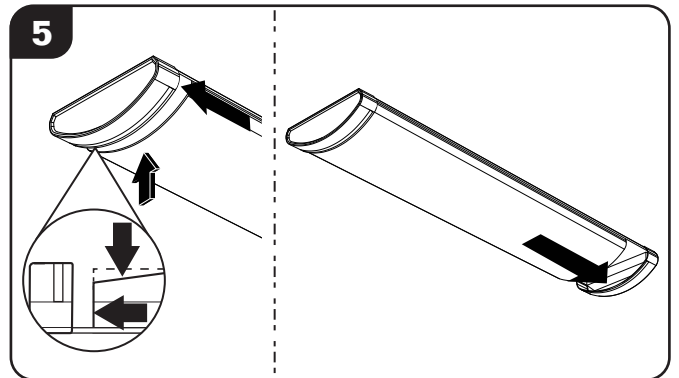
- 2** Fixture must be properly grounded. Connect fixture ground wire to ground wire in electrical box using wire nut (DD). The ground wires can be either green or bare copper. Insert black supply lead into connector on black fixture wires and white supply lead into connector on white fixture wires. Push excess wire into electrical box.



- 3** Remove support chain. Insert first screwhead into straight keyhole slot ①, pivot fixture and insert second screw into curved keyhole slot ②. Once screws are engaged, maneuver fixture into desired position. Tighten screws.



- 4A** Locate the 3/4 in. open holes for mounting at each end of fixture pan and drill a 1/8 in. pilot hole in the center. If a wooden stud is encountered, use the wood screws (FF) and washers (EE) provided to secure fixture directly to stud.
- 4B** If no stud is encountered, place the drywall anchors (GG) in the pilot holes and screw them into place until flushed with surface of drywall. Place washer (EE) over the mounting hole and drive long screws (FF) into drywall anchor until snug. Do NOT OVERTIGHTEN. **Note:** Main support for fixture is provided by attaching to a securely mounted electrical box. If the electrical box is not properly secured, alternative mounting methods such as toggle bolts (not included) should be used to secure fixture.



- 5** Depress middle of diffuser as you slide one end into an endcap. Maneuver other end into opposite endcap until diffuser seats equally in each endcap. Restore power.

Troubleshooting Guide

Before doing any work on the fixture, shut off power supply at the circuit breaker panel to avoid electrical shock.

Problem	Cause	Solution
Fixture doesn't light.	Power is off. Bad connection. Bad switch.	Check if power supply is on. Check cords and/or wiring. Test or replace switch.
Fuse blows or circuit breaker trips when light is turned on.	Discontinue use.	Call customer service.

Replacement Parts List

Hardware Kit:
ZH-LF1130F48
Replacement Diffuser:
ZD-LF1130L48-WHG

SAVE THESE INSTRUCTIONS.