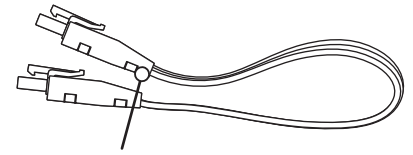
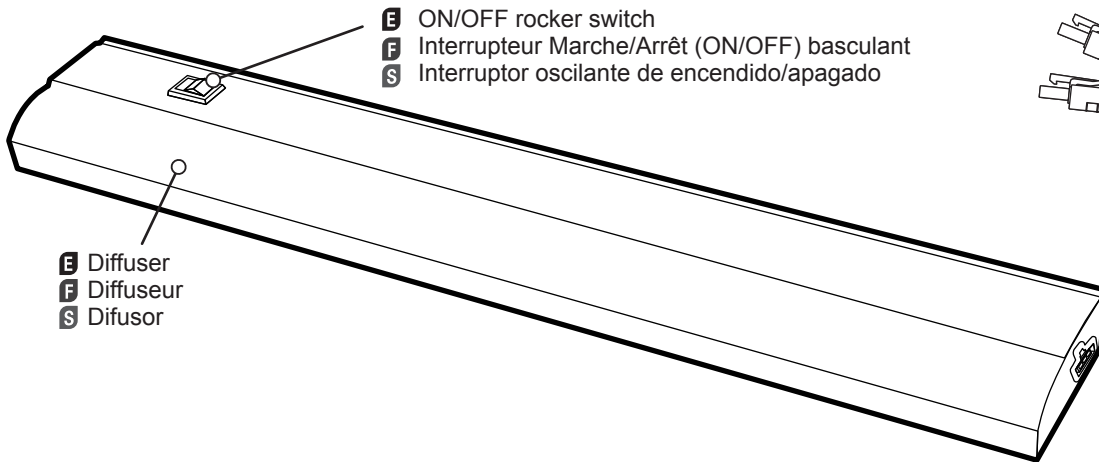




Good Earth
Lighting

SAVE AND ATTACH RECEIPT HERE

Contractor LED Direct Wire Undercabinet Bar (Page 1)
Barre pour installation sous un meuble Contractor à DEL à câblage direct (Page 1)
Barra LED para debajo de gabinetes de cableado directo para contratista (Página 1)
Model / Model / Modelo #: UC1248-WH1-12LF0-G, UC1248-WH1-18LF0-G, UC1248-WH1-24LF0-G, UC1248-WH1-30LF0-G

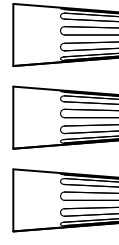
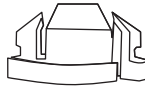
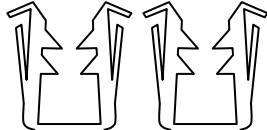
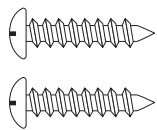


Hardware kit* / Trousse de quincaillerie* / Kit de aditamentos*

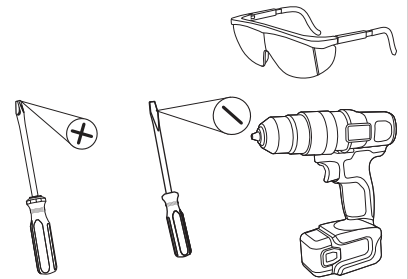
* Actual hardware may differ from illustration

* La quincaillerie incluse peut être différente de l'illustration.

* Los aditamentos reales pueden diferir de los que se muestran en la ilustración.



Required/ Nécessaire/ Obligatorio



READ ENTIRE INSTALLATION PROCEDURE BEFORE YOU BEGIN!

⚠ WARNINGS AND CAUTIONS

DO NOT ATTEMPT TO INSTALL LED LIGHT BAR WHILE PLUGGED IN.

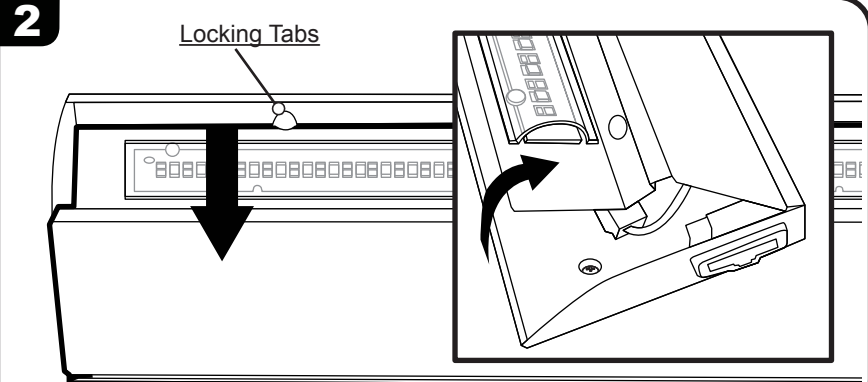
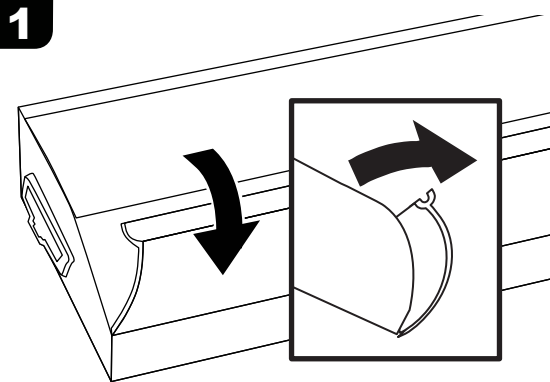
Read entire installation procedure before you begin and save instructions close to the fixture for future reference.

THIS FIXTURE IS DIMMABLE BY SPECIFIC FORWARD PHASE ELECTRONIC (TRAIC) DIMMERS: Dimmers tested to be compatible with this fixture are Lutron Skylark SCL-153P, Lutron Diva DVCL-153P, Lutron Maestro MACL-153M, Lutron Toggler TGCL-153P, Lutron Lumea LECL-153P, Lutron Caseta PD-6WCL, Eaton Halo SAL06P. Not recommended for use with motion or light sensors, timers, or any other external controls.

IMPORTANT SAFETY INFORMATION

1. Do not look directly at exposed LEDs for extended period of time.
2. Do not use in wet locations. For **INDOOR** Damp locations.
3. Do **NOT** mount to surfaces less than ¼ in.
4. Do **NOT** mount over sinks or stoves
5. Turn power off before servicing.
6. Do not leave bare wires exposed.
7. Not intended for recessed installation in ceiling or soffits
8. For electrical requirements, see fixture. Minimum 90°C supply conductors.
9. Maximum number of LED cabinet lighting fixtures per run should not exceed power supply wattage rating (Maximum 360 watts)

⚠ TURN POWER OFF AT BREAKER BOX/FUSE BOX. TURN WALL SWITCH TO JUNCTION BOX OFF



- 1** Remove diffuser by pulling back and up on the top edge corner of the diffuser. **NOTE:** Be careful not to damage the LEDs when disengaging the wire compartment cover.
- 2** Open the wire compartment cover by pushing in the side of wire compartment cover to disengage both chassis locking tabs. **NOTE:** Be careful not to damage the LEDs when disengaging the wire compartment cover.

ENGLISH

ENGLISH